

COMPLI 1500/2500 HL

SEWAGE LIFTING STATIONS

- With modern HighLogo microprocessor control unit
- Submersible
- Large storage capacity
- Selectable inlet position
- PE-tank 500/1000 l



DESCRIPTION

The Compli 1500 and 2500 tank systems have been designed for large industrial and communal wastewater volumes as well as for the connection of streets or other community effluent systems. To ensure a practical arrangement, special importance was attached to easy installation.

The submersible unit is permitted for general use in areas subject to flooding without requiring additional outlay. The control unit has to be fitted in a well ventilated flood-proof room.

The construction with PE tanks has freely accessible drains and a clamp-type inlet flange for easy installation. The top-mounted cleaning opening and the easy replaceability of the pre-mounted pumps also ensure time-saving servicing.

The sewage lifting stations are available with modern microprocessor control units (HighLogo). The control can be configured intuitively and flexibly via the large graphic display in conjunction with the multifunction button. With optional accessories (GSM modem), SMS or e-mail transmission is also possible in the case of a malfunction.

The Compli sewage lifting station can be integrated into a smart infrastructure. The FTJP radio transmitter is connected to the potential-free contact of the lifting station. It is now possible to transmit the switching status (e. g. an alarm message) to an EnOcean-capable smart home gateway (Wibutler, Afriso, Homee).



MECHANICAL DATA

Pump	Vertical single-stage	Impeller	Cannel impeller, grey cast iron
Pressure pipe	DN 100	Motor housing	Grey cast iron
Bearing	Ball bearings, grease-lubricated	Pump housing	Grey cast iron
Oil chamber	Yes	Submersible	Yes
Run dry protection	Yes	Tank capacity	500/1000 l

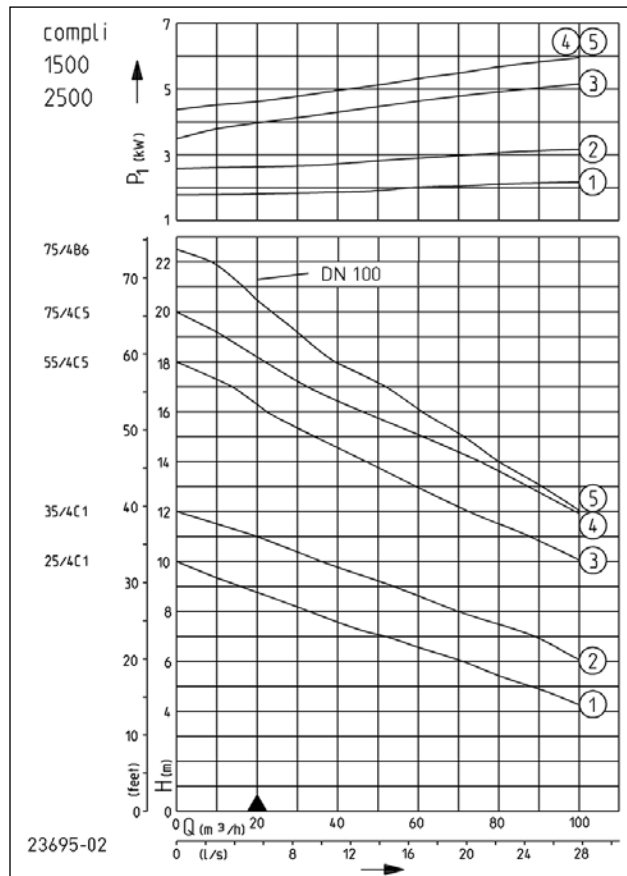
ELECTRICAL DATA

Voltage	3/N/PE~400 V	Insulation class	F
Power line	10m H07RN-F	Winding thermostat	Yes
Type of enclosure	IP 68		

COMPLI 1500/2500 HL

SEWAGE LIFTING STATIONS

PERFORMANCE



Type	Duplex unit Code No.
compl 1525/4 C1 HL	JP50123
compl 1535/4 C1 HL	JP50124
compl 1555/4 C5 HL	JP50125
compl 1575/4 B6 HL	JP50127
compl 1575/4 C5 HL	JP50126
compl 2525/4 C1 HL	JP50133
compl 2535/4 C1 HL	JP50134
compl 2555/4 C5 HL	JP50135
compl 2575/4 B6 HL	JP50137
compl 2575/4 C5 HL	JP50136

Type	Delivery head H [m]	4	5	6	7	8	9	10	11	12	13	14	16	18	20
compl 1525/4+2525/4 C1 HL	Flow rate Q [m³/h]	104	87	71	51	32	16								
compl 1535/4+2535/4 C1 HL				103	89	72	54	36	21						
compl 1555/4+2555/4 C5 HL								100	87	74	59	45	22		
compl 1575/4+2575/4 B6 HL											91	82	62	41	24
compl 1575/4+2575/4 C5 HL										100	87	75	44	22	

Specifications can be changed without notice. Performance subject to ISO 9906 tolerances.

The minimum flow velocity in the pressure piping must be 0.7 m/s according to EN 12056. This data is represented in the performance curve as a limit of application.

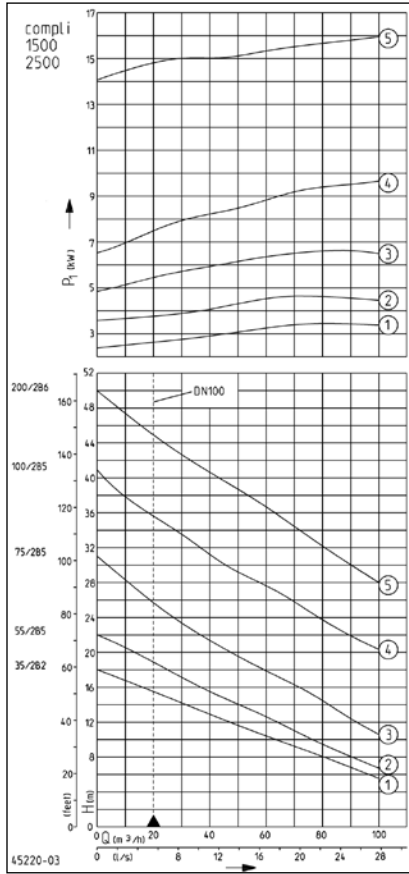
COMPLI 1500/2500 HL, N = 1450 MIN-1

Type	Motor rating		Current	Wires	Free passage	Pressure outlet	Weight
	P1	P2					
compl 1525/4 C1 HL	2.4 kW	1.90 kW	4.2 A	6G1,5	100 mm	DN 100	254 kg
compl 1535/4 C1 HL	3.5 kW	2.65 kW	6.9 A	6G1,5	100 mm	DN 100	262 kg
compl 1555/4 C5 HL	5.8 kW	4.65 kW	10.2 A/5.9 A	10G2,5	100 mm	DN 100	364 kg
compl 1575/4 B6 HL	7.2 kW	5.90 kW	12.8 A/7.4 A	10G2,5	70 mm	DN 100	358 kg
compl 1575/4 C5 HL	7.2 kW	5.90 kW	12.8 A/7.4 A	10G2,5	100 mm	DN 100	374 kg
compl 2525/4 C1 HL	2.4 kW	1.90 kW	4.2 A	6G1,5	100 mm	DN 100	301 kg
compl 2535/4 C1 HL	3.5 kW	2.65 kW	6.9 A	6G1,5	100 mm	DN 100	309 kg
compl 2555/4 C5 HL	5.8 kW	4.65 kW	10.2 A/5.9 A	10G2,5	100 mm	DN 100	411 kg
compl 2575/4 B6 HL	7.2 kW	5.90 kW	12.8 A/7.4 A	10G2,5	70 mm	DN 100	405 kg
compl 2575/4 C5 HL	7.2 kW	5.90 kW	12.8 A/7.4 A	10G2,5	100 mm	DN 100	421 kg

COMPLI 1500/2500 HL

SEWAGE LIFTING STATIONS

PERFORMANCE



Type	Duplex unit Code No.
compli 1535/2 B2 HL	JP50128
compli 1555/2 B2 HL	JP50129
compli 1575/2 B5 HL	JP50130
compli 15100/2 B5 HL	JP50131
compli 15200/2 B6 HL	JP50132
compli 2535/2 B2 HL	JP50138
compli 2575/2 B5 HL	JP50140
compli 2555/2 B2 HL	JP50139
compli 25100/2 B5 HL	JP50141
compli 25200/2 B6 HL	JP50142

Type	Delivery head H [m]	5	7	10	13	16	19	22	25	28	31	34	37	40
compli 1535/2+2535/2 B2 HL	Flow rate Q [m³/h]	102	88	65	38	17								
compli 1555/2+2555/2 B2 HL			96	76	58	35	17							
compli 1575/2+2575/2 B5 HL				104	87	70	54	37	23	9				
compli 15100/2+25100/2 B5 HL								91	76	55	41	23	15	4
compli 15200/2+25200/2 B6 HL										100	86	72	58	43

Specifications can be changed without notice. Performance subject to ISO 9906 tolerances.

The minimum flow velocity in the pressure piping must be 0.7 m/s according to EN 12056. This data is represented in the performance curve as a limit of application.

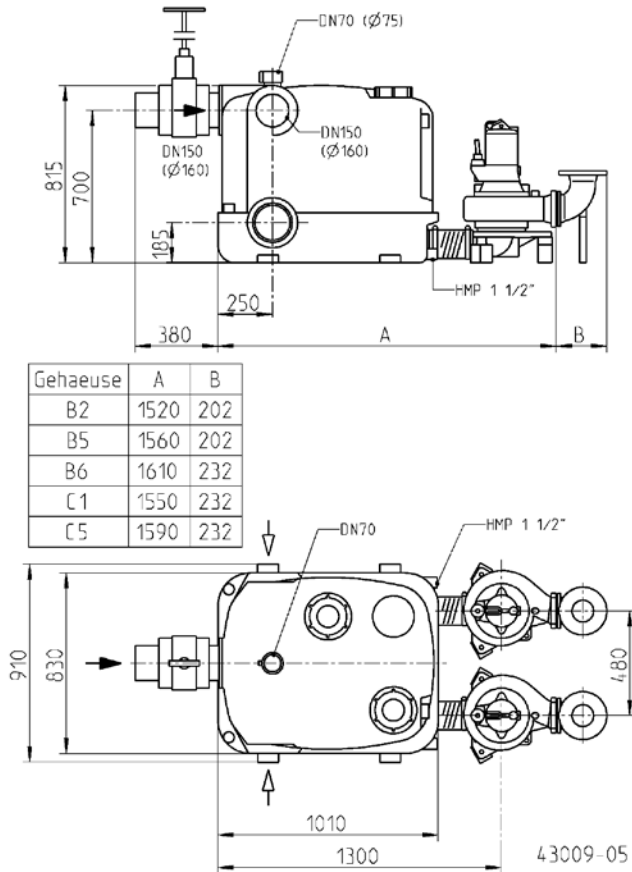
COMPLI 1500/2500 HL, N = 2900 MIN-1

Type	Motor rating P1	Motor rating P2	Current	Wires	Free passage	Pressure outlet	Weight
compli 1535/2 B2 HL	3.7 kW	3.04 kW	6.6 A	6G1,5	70 mm	DN 80	236 kg
compli 1555/2 B2 HL	5.2 kW	4.45 kW	8.7 A/5.0 A	10G2,5	70 mm	DN 80	302 kg
compli 1575/2 B5 HL	7.7 kW	6.60 kW	13.2 A/7.7 A	10G2,5	70 mm	DN 80	322 kg
compli 15100/2 B5 HL	10.5 kW	9.20 kW	17.6 A/10.2 A	10G2,5	70 mm	DN 80	368 kg
compli 15200/2 B6 HL	17.3 kW	15.40 kW	28.8 A/16.7 A	10G2,5	70 mm	DN 100	550 kg
compli 2535/2 B2 HL	3.7 kW	3.04 kW	6.6 A	6G1,5	70 mm	DN 80	283 kg
compli 2575/2 B5 HL	7.7 kW	6.60 kW	13.2 A/7.7 A	10G2,5	70 mm	DN 80	369 kg
compli 2555/2 B2 HL	5.2 kW	4.45 kW	8.7 A/5.0 A	10G2,5	70 mm	DN 80	349 kg
compli 25100/2 B5 HL	10.5 kW	9.20 kW	17.6 A/10.2 A	10G2,5	70 mm	DN 80	415 kg
compli 25200/2 B6 HL	17.3 kW	15.40 kW	28.8 A/16.7 A	10G2,5	70 mm	DN 100	597 kg

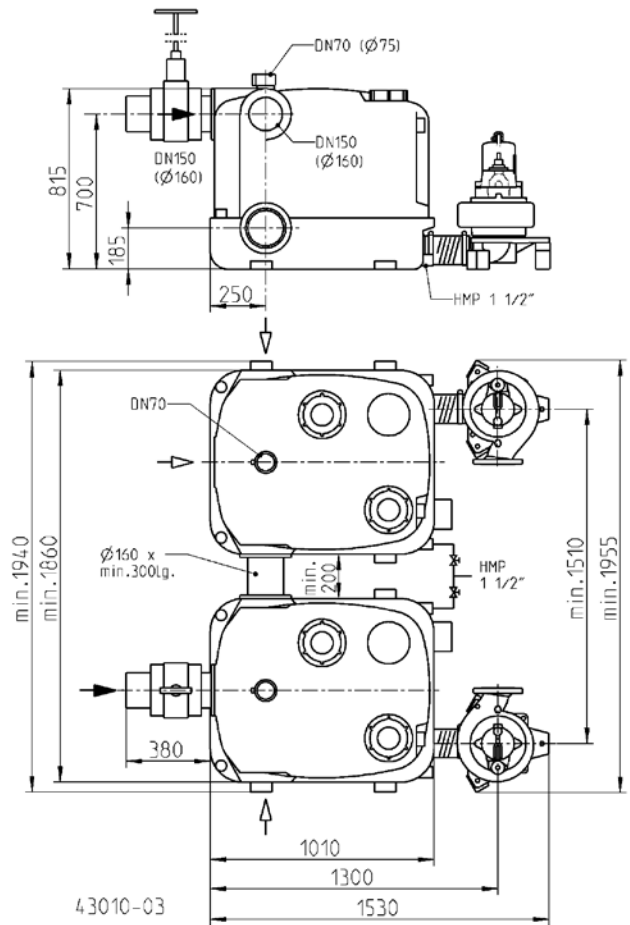
COMPLI 1500/2500 HL

SEWAGE LIFTING STATIONS

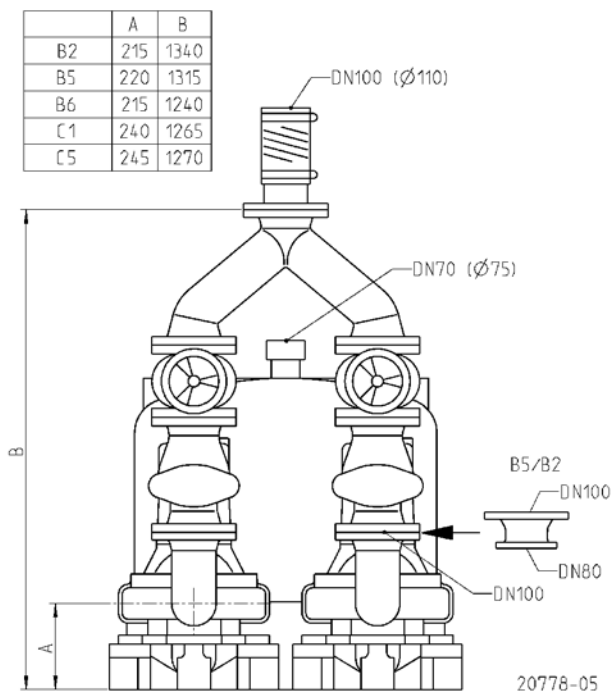
Dimensions compli 1500 (mm)



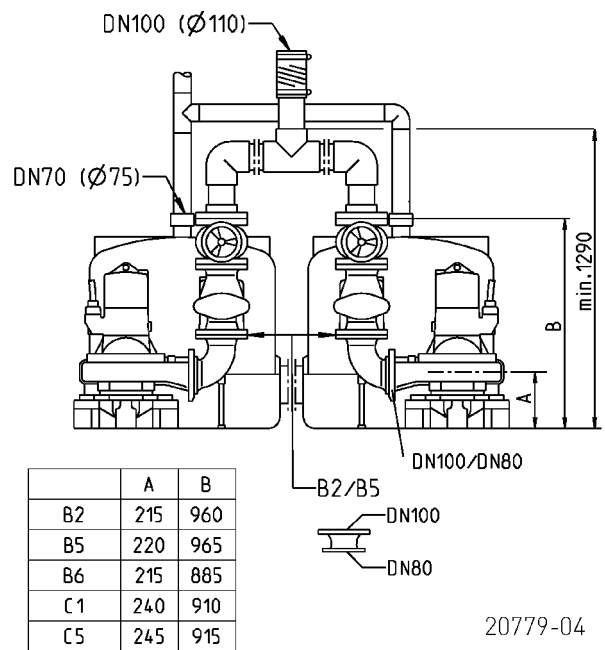
Dimensions compli 2500 (mm)



Mounting dimensions compli 1500 (mm)



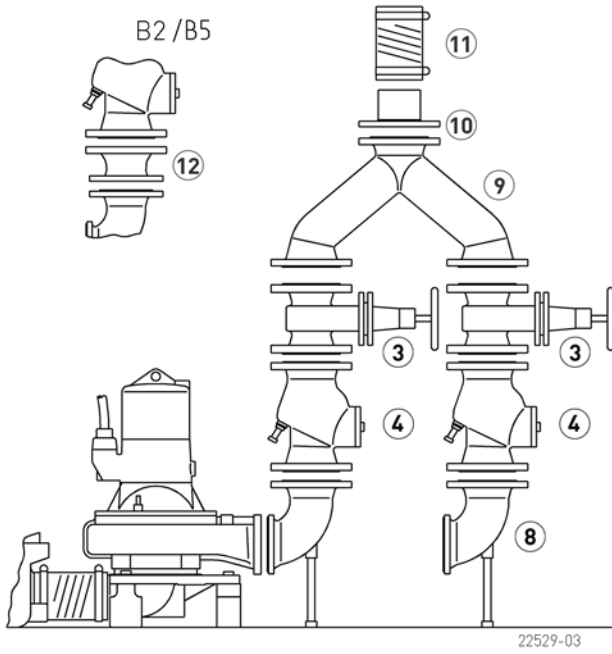
Mounting dimensions compli 2500 (mm)



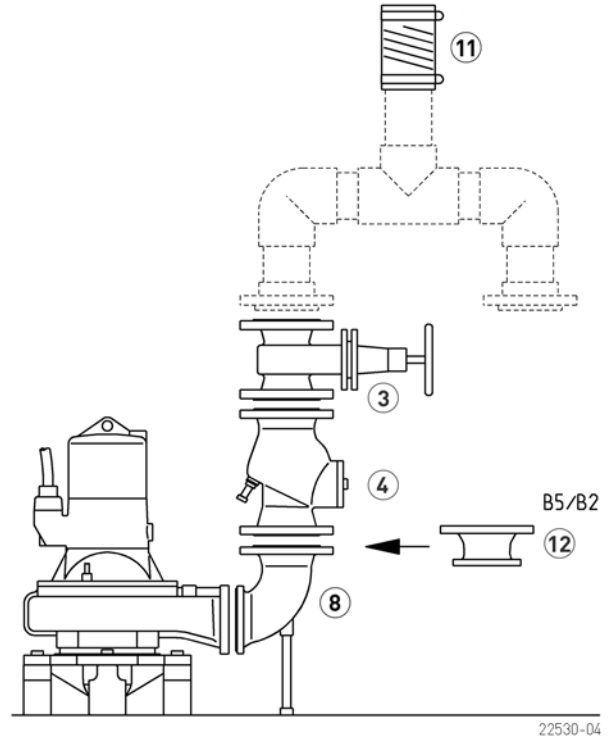
COMPLI 1500/2500 HL

SEWAGE LIFTING STATIONS

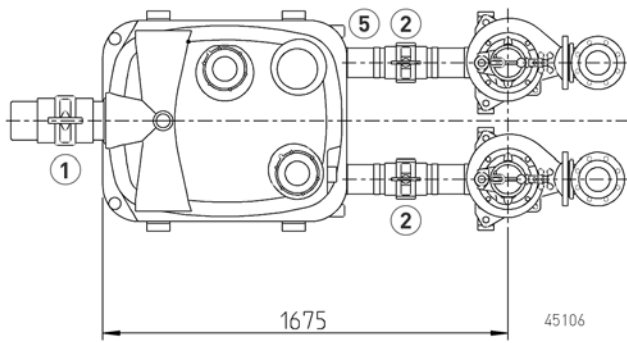
Example of installation compli 1500



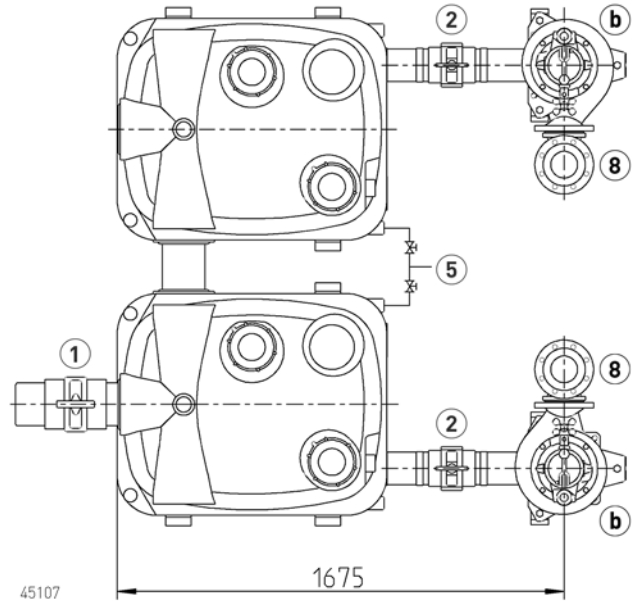
Example of installation compli 2500



Example of installation compli 1500



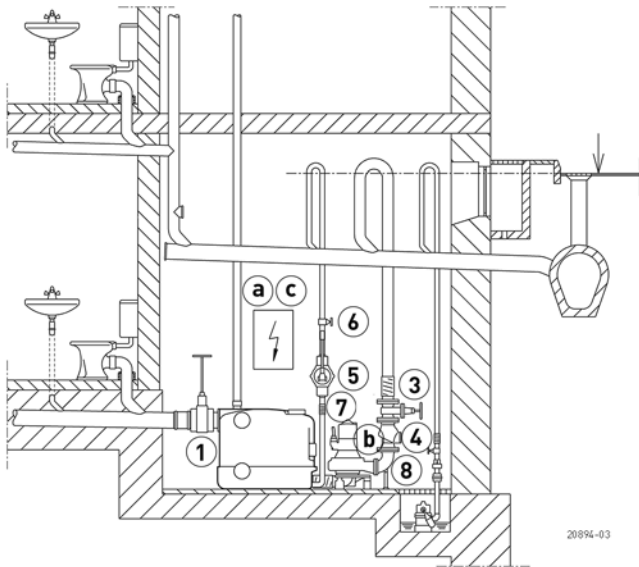
Example of installation compli 2500



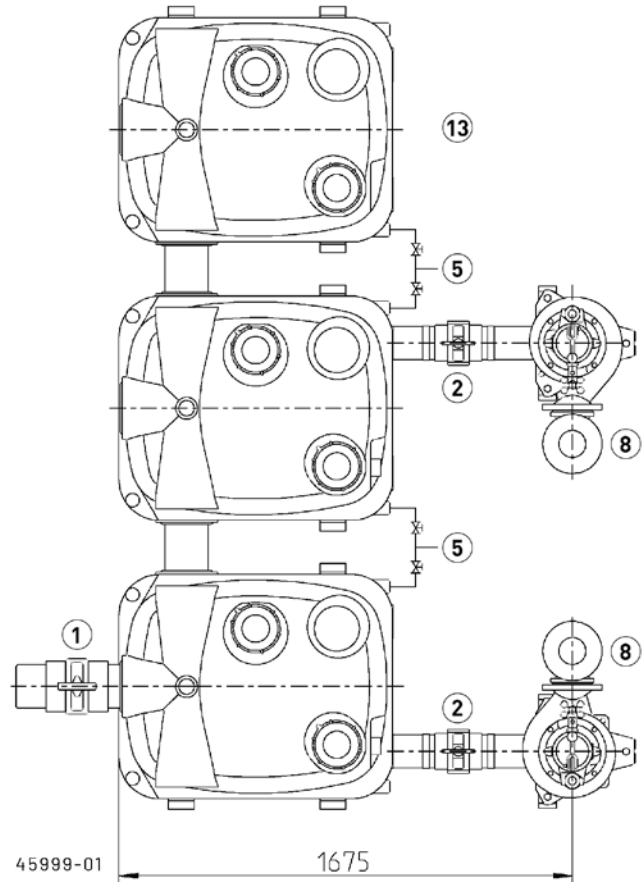
COMPLI 1500/2500 HL

SEWAGE LIFTING STATIONS

Example of installation



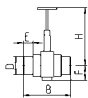
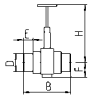
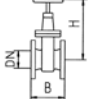
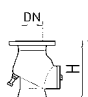
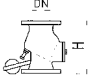
Example of installation with additional tank



Sewage lifting units are to be used in building drainage systems in accordance with the construction and testing principles of EN 12050 for the transport of faeces and domestic wastewater (EN 12056, DIN 1986-3). They are to be installed in accordance with the regulations of EN 12056-4 with collection tanks inside buildings, 60 cm free-standing for

operation and maintenance. The pressure pipe has to be passed above the locally defined backflow level and a non-return valve tested according to EN 12050-4 must be installed. The ventilation pipe must be passed above the roof.


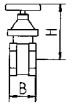
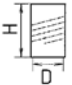

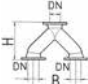
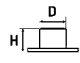
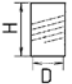
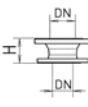
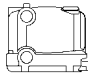
MECHANICAL ACCESSORY

				Code No.
	1 Inlet gate valve PVC	with two pipe sockets, DN 150, PN2.5	660x450 (HxW)	JP28591
	2 Stop valve	with two pipe sockets, DN 100, PN1	300x295 (HxW)	JP45173
	3 Sluice valve	DN 100, PN 10, EN 1171	345x190 (HxB)	JP00329
	4 Swing-type check valve R 101 EN 12050-4 R 100 G EN 12050-4	DN 100, PN 4, flange PN 10, EN 558, 300 (H)		JP00325
		DN 100, PN 4, flange PN 10, EN 558, with counter weight, 300(H)		JP00324




COMPLI 1500/2500 HL

SEWAGE LIFTING STATIONS

MECHANICAL ACCESSORY

				Code No.
	5 Hand diaphragm pump	for emergency purposes (up to Hgeo 15 m)	640x1½" (HxD)	JP00255
	6 Stop valve	brass, 1½" (DN 40), PN 16	125x60 (HxB)	JP44786
	7 Elastic connection	+ Hose band clamps, 1½" (DN 40), PN 4	120x50 (HxD)	JP50902
	8 Flanged connection	B 80 (similar Q-piece 90°), DN 80 PN10/PN6 C 100 (similar Q-piece 90°), DN 100 PN10/PN6	150x100 (HxB) 175x120 (HxB)	JP00578 JP00579
	9 Flanged Y-pipe	DN 100/100/100	355x480(HxB), PN 10	JP00203
	10 Flanged spigot	DN 100 PN 10, F-KS DN 100 PN 10, F-piece	153x110 (HxD) 100x114 (HxD)	JP08673 JP00688
	11 Elastic connection	+ Clamps, 2" DN 100, PN 4 + Clamps ,2" DN 100, PN 4	200x110 (HxD) 200x114 (HxD)	JP50905 JP50906
	12 Reducing adapter	DN 80/100 to PN 10, (similar FFR-piece), H=100		JP00498
	13 Tank	500 l		JP45945

ELECTRICAL ACCESSORY

				Code No.
	a Rechargeable battery	9 V, for mains independent alarm		JP44850
	b Seal leak detector	DKG (für die Ölkammer)		JP44900
	c Smart Home	FTJP radio transmitter		JP47209