

MULTISTREAM

SEWAGE PUMPS

- Easy adjustment of the axial gap
- Connection alternatively PN6 or PN10
- Safe to run dry
- Controllable oil chamber
- Plug-in cable connection (MultiStream 10...-100...)
- SiC mechanical seal independent of sense of rotation
- Moisture-sealed cable inlet
- Installed motor protection



DESCRIPTION

The centrifugal submersible sewage pumps MultiStream are suitable for handling effluent or sewage in municipal and industrial pumping stations as well as in surface water drainage applications. The smaller types are also used very successfully as portable units to deal with emergency situations.

The submersible pumps are made in accordance to EN 12050 with 10 m cable and free lead ends, are available with or without explosion protection (Ex II 2 G Ex db IIB T4 Gb). The through shaft is fully encapsulated against the pumped media and with its short shaft end a long life span is ensured.

The adjustable axial gap of the MultiStream-pump makes it possible to re-optimize the efficiency in case of abrasion by adjusting only one single screw. This can be done very cost-effective when the maintenance is carried out and the pump keeps its optimum performance on a long-term basis.

MultiStream-pumps are recommended for:

effluent which contains fibrous matter / effluent which contains solids / mixed water / raw effluent / rainwater



MECHANICAL DATA

Pump	Vertical single-stage	Run dry protection	Yes
Bearing	Ball bearings, grease-lubricated	Impeller	Channel impeller, grey cast iron
Seal on motor side	Duplex shaft seal, from 55/: mechanical seal		from 55/2... spheroidal graphite iron
Oil chamber	Yes	Motor housing	Grey cast iron
Seal on medium side	SiC mechanical seal	Pump housing	Grey cast iron
		Submersible	Yes

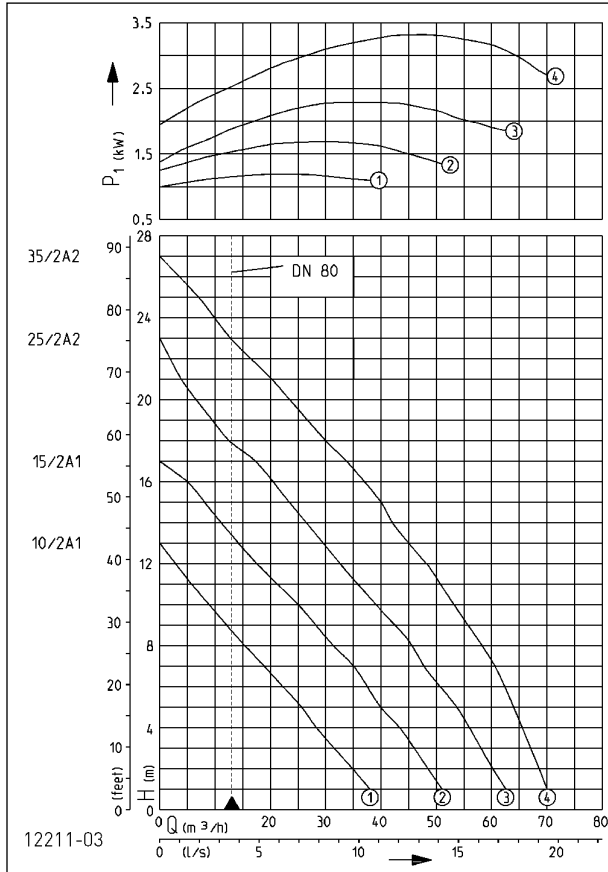
ELECTRICAL DATA

Power line	10m H07RN-F	Type of enclosure	IP 68
------------	-------------	-------------------	-------

MULTISTREAM

SEWAGE PUMPS

PERFORMANCE



Type	Duplex unit		Single unit	
	Code No.	Type	Code No.	Type
10/2 A1	JP50384	BD 25	JP45737	AD 25
15/2 A1	JP50386	BD 25	JP45737	AD 25
25/2 A2	JP50388	BD 46	JP45739	AD 46
35/2 A2	JP50390	BD 610	JP45741	AD 610
10/2 A1, Ex	JP50385	BD 25 X	JP09681	AD 25 X
15/2 A1, Ex	JP50387	BD 25 X	JP09681	AD 25 X
25/2 A2, Ex	JP50389	BD 46 X	JP14360	AD 46 X
35/2 A2, Ex	JP50391	BD 610 X	JP14361	AD 610 X

Additional requirements, see technical data control units

Type	Delivery head H [m]	1	2	3	4	5	6	7	8	9	10	12	14	16	18	20	22	24
10/2 A1	Flow rate Q [m³/h]	38	35	32	29	26	22	19	15	12	9							
15/2 A1		50	48	46	43	40	37	35	32	28	25	18	11	5				
25/2 A2		62	60	58	56	54	51	48	46	42	39	33	27	20	13	7		
35/2 A2		70	69	67	66	64	63	61	58	56	53	48	43	37	30	24	16	10

Specifications can be changed without notice. Performance subject to ISO 9906 tolerances.

The minimum flow rate in the pressure pipe of $v = 0,7 \text{ m/s}$ is marked in the Q-H-diagram (operative limit).

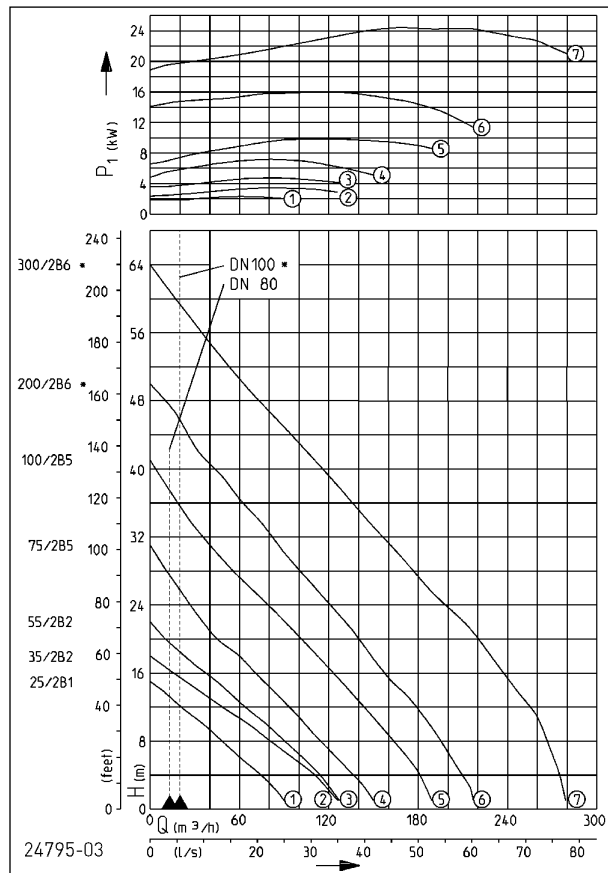
MULTISTREAM DN 65, N = 2900 MIN-1

Type	Voltage	Motor rating		Current	Wires	Fuse	S3	Free pas- sage	Pressure outlet	Weight
		P1	P2							
10/2 A1	3/PE~400 V	1.3 kW	1.10 kW	2.7 A	6G1,5	10 A	60 %	40 mm	DN 65	41 kg
15/2 A1	3/PE~400 V	1.8 kW	1.50 kW	3.3 A	6G1,5	10 A	50 %	40 mm	DN 65	42 kg
25/2 A2	3/PE~400 V	2.6 kW	2.10 kW	4.4 A	6G1,5	10 A	40 %	40 mm	DN 65	48 kg
35/2 A2	3/PE~400 V	3.7 kW	3.04 kW	6.6 A	6G1,5	10 A	40 %	40 mm	DN 65	52 kg

MULTISTREAM

SEWAGE PUMPS

PERFORMANCE



Type	Duplex unit		Single unit		
	Code No.	Type	Code No.	Type	
25/2 B1	JP50392	BD 46	JP45739	AD 46	JP14353
35/2 B2	JP50394	BD 610	JP45741	AD 610	JP14354
55/2 B2	JP09663	BS 46	JP14411	AS 46	JP14406
75/2 B5	JP00485	BS 610	JP14412	AS 610	JP14407
100/2 B5	JP09740	BS 1016	JP14413	AS 1016	JP14408
200/2 B6	JP00492	BS 1624	JP14414	AS 1624	JP14409
300/2 B6	JP00471	BS 2440	JP14415	AS 2440	JP14410
25/2 B1, Ex	JP50393	BD 46 X	JP14360	AD 46 X	JP14355
35/2 B2, Ex	JP50395	BD 610 X	JP14361	AD 610 X	JP14356
55/2 B2, Ex	JP09664	BS 46	JP14411	AS 46	JP14406
75/2 B5, Ex	JP09665	BS 610	JP14412	AS 610	JP14407
100/2 B5, Ex	JP09741	BS 1016	JP14413	AS 1016	JP14408
200/2 B6, Ex	JP00472	BS 1624	JP14414	AS 1624	JP14409
300/2 B6, Ex	JP00473	BS 2440	JP14415	AS 2440	JP14410

Additional requirements, see technical data control units

Type	Delivery head H [m]	1	3	6	9	12	15	18	21	24	27	30	33	36	40	43	46	50	53	56	60	
25/2 B1	Flow rate Q [m³/h]	91	80	62	43	21																
35/2 B2		126	117	97	73	49	23															
55/2 B2		127	118	103	85	65	44	24	6													
75/2 B5		150	142	126	110	93	77	59	42	27	15											
100/2 B5		190	184	173	159	144	129	113	97	78	63	46	32	18								
200/2 B6		217	215	204	191	177	162	149	136	120	104	91	77	62	43	28	19					
300/2 B6		280	277	270	263	254	242	229	216	199	183	167	152	136	113	100	84	63	49	34	17	

Specifications can be changed without notice. Performance subject to ISO 9906 tolerances.

The minimum flow rate in the pressure pipe of $v = 0,7 \text{ m/s}$ is marked in the Q-H-diagram (operative limit).

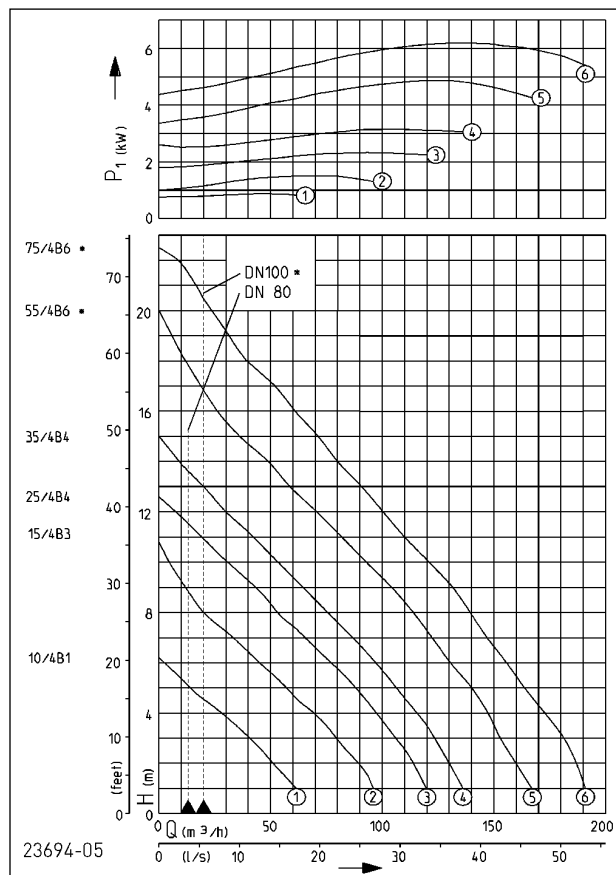
MULTISTREAM DN 80 / 100, N = 2900 MIN-1

Type	Voltage	Motor rating		Current	Wires	Fuse	S3	Free pas- sage	Pressure outlet	Weight
		P1	P2							
25/2 B1	3/PE~400 V	2.6 kW	2.10 kW	4.4 A	6G1,5	10 A	40 %	70 mm	DN 80	45 kg
35/2 B2	3/PE~400 V	3.7 kW	3.04 kW	6.6 A	6G1,5	10 A	40 %	70 mm	DN 80	55 kg
55/2 B2	3/PE~400/690 V	5.2 kW	4.45 kW	8.7 A/5.0 A	10G2,5	16 A	40 %	70 mm	DN 80	88 kg
75/2 B5	3/PE~400/690 V	7.7 kW	6.60 kW	13.2 A/7.7 A	10G2,5	20 A	30 %	70 mm	DN 80	98 kg
100/2 B5	3/PE~400/690 V	10.5 kW	9.20 kW	17.6 A/10.2 A	10G2,5	25 A	30 %	70 mm	DN 80	121 kg
200/2 B6	3/PE~400/690 V	17.3 kW	15.40 kW	28.8 A/16.7 A	10G2,5	35 A	45 %	70 mm	DN 100	212 kg
300/2 B6	3/PE~400/690 V	27.0 kW	24.45 kW	43.0 A/24.7 A	7G6+3x1	50 A	35 %	70 mm	DN 100	257 kg

MULTISTREAM

SEWAGE PUMPS

PERFORMANCE



Type	Duplex unit		Single unit	
	Code No.	Type	Code No.	Type
10/4 B1	JP50396	BD 25	JP45737	AD 25
15/4 B3	JP50398	BD 25	JP45737	AD 25
25/4 B4	JP50400	BD 46	JP45739	AD 46
35/4 B4	JP50402	BD 610	JP45741	AD 610
55/4 B6	JP00486	BS 610	JP14412	AS 610
75/4 B6	JP00489	BS 610	JP14412	AS 610
10/4 B1, Ex	JP50397	BD 25 X	JP09681	AD 25 X
15/4 B3, Ex	JP50399	BD 25 X	JP09681	AD 25 X
25/4 B4, Ex	JP50401	BD 46 X	JP14360	AD 46 X
35/4 B4, Ex	JP50403	BD 610 X	JP14361	AD 610 X
55/4 B6, Ex	JP09666	BS 610	JP14412	AS 610
75/4 B6, Ex	JP09667	BS 610	JP14412	AS 610

Additional requirements, see technical data control units

Type	Delivery head H [m]	1	2	3	4	5	6	7	8	9	10	11	12	14	15	16	17	18	20
10/4 B1	Flow rate Q [m³/h]	60	51	40	28	14	3												
15/4 B3		98	89	79	69	57	45	33	20	12	5								
25/4 B4		120	114	106	97	87	77	65	53	43	31	19							
35/4 B4		132	125	119	112	104	95	85	74	64	53	43	30	10					
55/4 B6		167	160	154	147	140	132	123	114	104	93	82	72	49	39	28	19	12	
75/4 B6		191	188	181	173	163	157	149	141	131	122	113	104	82	73	62	52	41	24

Specifications can be changed without notice. Performance subject to ISO 9906 tolerances.

The minimum flow rate in the pressure pipe of $v = 0,7 \text{ m/s}$ is marked in the Q-H-diagram (operative limit).

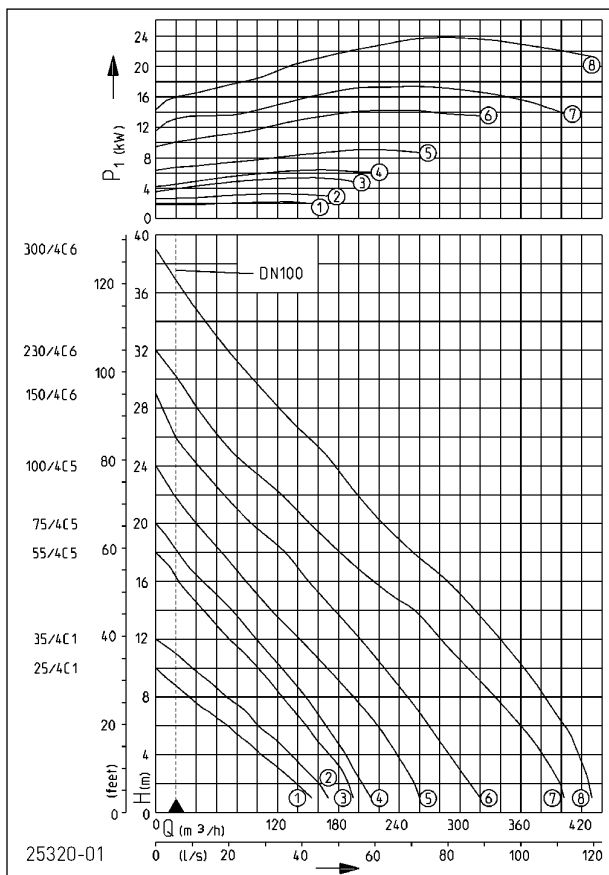
MULTISTREAM DN 80 / 100, N = 1450 MIN-1

Type	Voltage	Motor rating		Current	Wires	Fuse	S3	Free pas- sage	Pressure outlet	Weight
		P1	P2							
10/4 B1	3/PE~400 V	0.95 kW	0.73 kW	2.4 A	6G1,5	10 A	50 %	70 mm	DN 80	45 kg
15/4 B3	3/PE~400 V	1.80 kW	1.40 kW	3.4 A	6G1,5	10 A	40 %	70 mm	DN 80	50 kg
25/4 B4	3/PE~400 V	2.70 kW	2.04 kW	4.6 A	6G1,5	10 A	25 %	70 mm	DN 80	59 kg
35/4 B4	3/PE~400 V	3.50 kW	2.65 kW	6.9 A	6G1,5	10 A	25 %	70 mm	DN 80	62 kg
55/4 B6	3/PE~400/690 V	5.80 kW	4.65 kW	10.2 A/5.9 A	10G2,5	16 A	20 %	70 mm	DN 100	111 kg
75/4 B6	3/PE~400/690 V	7.20 kW	5.90 kW	12.8 A/7.4 A	10G2,5	20 A	25 %	70 mm	DN 100	116 kg

MULTISTREAM

SEWAGE PUMPS

PERFORMANCE



Type	Duplex unit		Single unit		
	Code No.	Type	Code No.	Type	Code No.
25/4 C1	JP50404	BD 46	JP45739	AD 46	JP14353
35/4 C1	JP50406	BD 610	JP45741	AD 610	JP14354
55/4 C5	JP09901	BS 610	JP14412	AS 610	JP14407
75/4 C5	JP09904	BS 610	JP14412	AS 610	JP14407
100/4 C5	JP09275	BS 1016	JP14413	AS 1016	JP14408
150/4 C6	JP09882	BS 1624	JP14414	AS 1624	JP14409
230/4 C6	JP09885	BS 1624	JP14414	AS 1624	JP14409
300/4 C6	JP09888	BS 2440	JP14415	AS 2440	JP14410
25/4 C1, Ex	JP50405	BD 46 X	JP14360	AD 46 X	JP14355
35/4 C1, Ex	JP50407	BD 610 X	JP14361	AD 610 X	JP14356
55/4 C5, Ex	JP09902	BS 610	JP14412	AS 610	JP14407
75/4 C5, Ex	JP09905	BS 610	JP14412	AS 610	JP14407
100/4 C5, Ex	JP09276	BS 1016	JP14413	AS 1016	JP14408
150/4 C6, Ex	JP09883	BS 1624	JP14414	AS 1624	JP14409
230/4 C6, Ex	JP09886	BS 1624	JP14414	AS 1624	JP14409
300/4 C6, Ex	JP09889	BS 2440	JP14415	AS 2440	JP14410

Additional requirements, see technical data control units

Type	Delivery head H [m]	1	3	5	7	9	12	14	16	18	20	23	24	26	27	28	29	30	31	34	37	38	
25/4 C1	Flow rate Q [m³/h]	154	122	87	51	16																	
35/4 C1		170	146	119	89	54																	
55/4 C5		198	181	160	136	112	74	45	22														
75/4 C5		212	195	179	160	138	99	74	46	22													
100/4 C5		260	247	228	207	182	142	114	89	65	40	9											
150/4 C6		320	302	280	260	236	202	177	152	126	96	54	43	20	14	8							
230/4 C6		405	390	372	344	320	283	255	218	182	155	110	91	62	51	40	32	22	8				
300/4 C6		430	421	411	393	374	341	315	289	254	225	188	176	151	135	117	107	95	83	47	19	10	

Specifications can be changed without notice. Performance subject to ISO 9906 tolerances.

The minimum flow rate in the pressure pipe of $v = 0,7$ m/s is marked in the Q-H-diagram (operative limit).

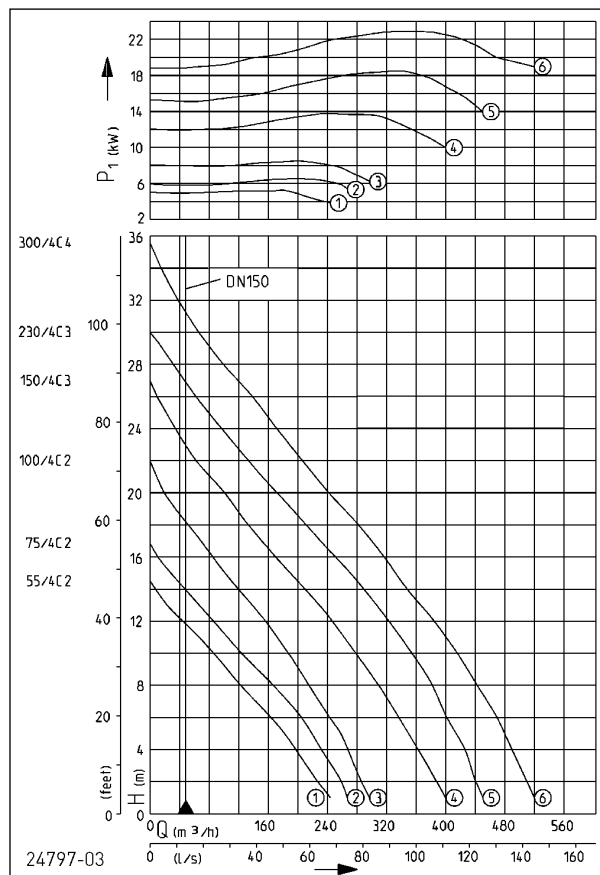
MULTISTREAM DN 100, N = 1450 MIN-1

Type	Voltage	Motor rating		Current	Wires	Fuse	S3	Free pas- sage	Pressure outlet	Weight
		P1	P2							
25/4 C1	3/PE~400 V	2.4 kW	1.90 kW	4.2 A	6G1,5	10 A	30 %	100 mm	DN 100	63 kg
35/4 C1	3/PE~400 V	3.5 kW	2.65 kW	6.9 A	6G1,5	10 A	25 %	100 mm	DN 100	67 kg
55/4 C5	3/PE~400/690 V	5.8 kW	4.65 kW	10.2 A/5.9 A	10G2,5	16 A	20 %	100 mm	DN 100	119 kg
75/4 C5	3/PE~400/690 V	7.2 kW	5.90 kW	12.8 A/7.4 A	10G2,5	20 A	25 %	100 mm	DN 100	124 kg
100/4 C5	3/PE~400/690 V	9.5 kW	7.94 kW	17.2 A/10.0 A	10G2,5	25 A	25 %	100 mm	DN 100	138 kg
150/4 C6	3/PE~400/690 V	15.0 kW	13.20 kW	26.7 A/15.5 A	10G2,5	35 A	40 %	100 mm	DN 100	247 kg
230/4 C6	3/PE~400/690 V	19.3 kW	17.00 kW	34.1 A/19.8 A	10G2,5	35 A	35 %	100 mm	DN 100	275 kg
300/4 C6	3/PE~400/690 V	25.5 kW	22.65 kW	45.5 A/26.4 A	7G6+3x1	50 A	25 %	100 mm	DN 100	296 kg

MULTISTREAM

SEWAGE PUMPS

PERFORMANCE



Type	Duplex unit		Single unit		
	Code No.	Type	Code No.	Type	Code No.
55/4 C2	JP00487	BS 610	JP14412	AS 610	JP14407
75/4 C2	JP00490	BS 610	JP14412	AS 610	JP14407
100/4 C2	JP09678	BS 1016	JP14413	AS 1016	JP14408
150/4 C3	JP00491	BS 1624	JP14414	AS 1624	JP14409
230/4 C3	JP00883	BS 1624	JP14414	AS 1624	JP14409
300/4 C4	JP00493	BS 2440	JP14415	AS 2440	JP14410
55/4 C2, Ex	JP09668	BS 610	JP14412	AS 610	JP14407
75/4 C2, Ex	JP09669	BS 610	JP14412	AS 610	JP14407
100/4 C2, Ex	JP09679	BS 1016	JP14413	AS 1016	JP14408
150/4 C3, Ex	JP00474	BS 1624	JP14414	AS 1624	JP14409
230/4 C3, Ex	JP00884	BS 1624	JP14414	AS 1624	JP14409
300/4 C4, Ex	JP00475	BS 2440	JP14415	AS 2440	JP14410

Additional requirements, see technical data control units

Type	Delivery head H [m]	1	3	5	7	9	11	13	15	17	19	20	21	24	25	27	29	30	31	33	34	
55/4 C2	Flow rate Q [m³/h]	245	214	184	144	105	62	22														
75/4 C2		270	245	216	185	146	105	64	26													
100/4 C2		300	278	258	229	202	167	130	96	65	33	18										
150/4 C3		400	373	349	325	295	263	227	192	150	116	100	81	34	21							
230/4 C3		455	434	415	394	369	338	308	272	231	191	172	153	98	80	45	17					
300/4 C4		520	500	478	455	426	399	364	334	298	263	242	223	172	157	118	83	66	51	26	15	

Specifications can be changed without notice. Performance subject to ISO 9906 tolerances.

The minimum flow rate in the pressure pipe of $v = 0,7 \text{ m/s}$ is marked in the Q-H-diagram (operative limit).

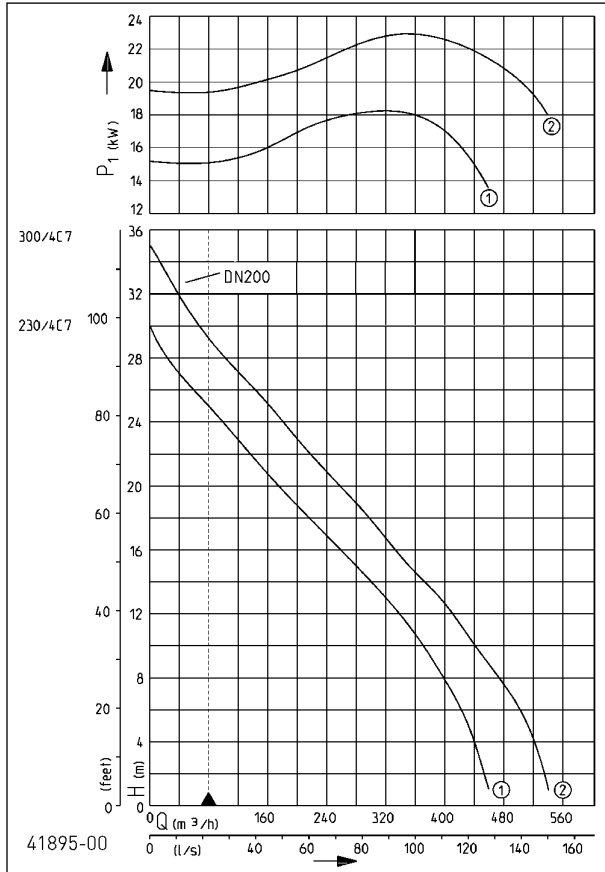
MULTISTREAM DN 150, N = 1450 MIN-1

Type	Voltage	Motor rating		Current	Wires	Fuse	S3	Free pas- sage	Pressure outlet	Weight
		P1	P2							
55/4 C2	3/PE~400/690 V	5.8 kW	4.65 kW	10.2 A/5.9 A	10G2,5	16 A	20 %	100 mm	DN 150	125 kg
75/4 C2	3/PE~400/690 V	7.2 kW	5.90 kW	12.8 A/7.4 A	10G2,5	20 A	25 %	100 mm	DN 150	131 kg
100/4 C2	3/PE~400/690 V	9.5 kW	7.94 kW	17.2 A/10.0 A	10G2,5	25 A	25 %	100 mm	DN 150	149 kg
150/4 C3	3/PE~400/690 V	15.0 kW	13.20 kW	26.7 A/15.5 A	10G2,5	35 A	40 %	100 mm	DN 150	268 kg
230/4 C3	3/PE~400/690 V	19.3 kW	17.00 kW	34.1 A/19.8 A	10G2,5	35 A	35 %	100 mm	DN 150	288 kg
300/4 C4	3/PE~400/690 V	25.5 kW	22.65 kW	45.5 A/26.4 A	7G6+3x1	50 A	25 %	100 mm	DN 150	308 kg

MULTISTREAM

SEWAGE PUMPS

PERFORMANCE



Type	Duplex unit		Single unit		
	Code No.	Type	Code No.	Type	Code No.
230/4 C7	JP09392	BS 1624	JP14414	AS 1624	JP14409
300/4 C7	JP09394	BS 2440	JP14415	AS 2440	JP14410
230/4 C7, Ex	JP09393	BS 1624	JP14414	AS 1624	JP14409
300/4 C7, Ex	JP09395	BS 2440	JP14415	AS 2440	JP14410

Additional requirements, see technical data control units

Type	Delivery head H [m]	1	3	5	7	9	11	13	15	17	19	20	21	24	25	27	29	30	31	33	34	
230/4 C7	Flow rate Q [m³/h]	460	443	429	409	387	358	322	282	240	196	177	158	97	78	42	11					
300/4 C7		540	524	509	483	453	427	396	355	318	280	258	238	180	165	126	87	71	54	26	15	

Specifications can be changed without notice. Performance subject to ISO 9906 tolerances.

The minimum flow rate in the pressure pipe of $v = 0,7$ m/s is marked in the Q-H-diagram (operative limit).

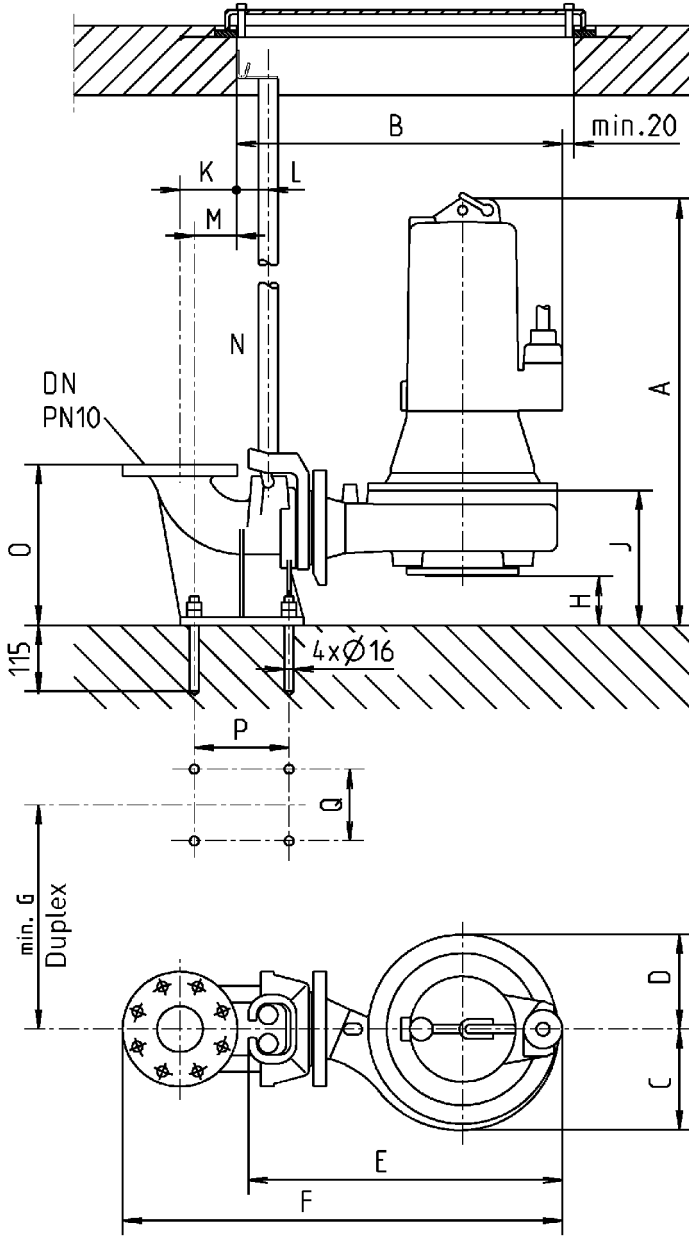
MULTISTREAM DN 200, N = 1450 MIN-1

Type	Voltage	Motor rating		Current	Wires	Fuse	S3	Free pas- sage	Pressure outlet	Weight
		P1	P2							
230/4 C7	3/PE~400/690 V	19.3 kW	17.00 kW	34.1 A/19.8 A	10G2,5	35 A	35 %	100 mm	DN 200	295 kg
300/4 C7	3/PE~400/690 V	25.5 kW	22.65 kW	45.5 A/26.4 A	7G6+3x1	50 A	25 %	100 mm	DN 200	315 kg

MULTISTREAM

SEWAGE PUMPS

Dimensions guide rail system



22574-06

MULTISTREAM

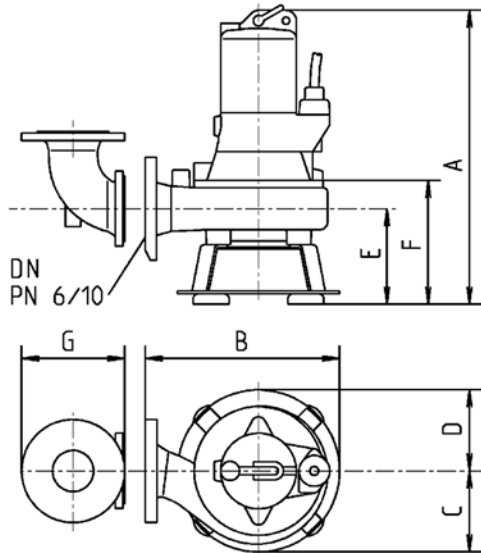
SEWAGE PUMPS

	GR	DN	A	B	C	D	E	F	G	H	J	K	L	M	N	O	P	Q
MultiStream 10/2 A1	65	80	510	460	110	105	435	660	390	108	213	100	55	74	1"	280	165	125
MultiStream 15/2 A1	65	80	510	460	110	105	435	660	390	108	213	100	55	74	1"	280	165	125
MultiStream 25/2 A2	65	80	510	480	130	125	455	680	390	108	220	100	55	74	1"	280	165	125
MultiStream 35/2 A2	65	80	545	480	130	125	455	680	390	108	220	100	55	74	1"	280	165	125
MultiStream 25/2 B1	80	80	520	475	130	110	455	675	390	95	225	100	55	74	1"	280	165	125
MultiStream 35/2 B2	80	80	555	495	145	125	475	695	390	92	225	100	55	74	1"	280	165	125
MultiStream 55/2 B2	80	80	680	525	145	125	510	725	390	92	225	100	55	74	1"	280	165	125
MultiStream 75/2 B5	80	80	685	565	180	165	550	765	390	85	235	100	55	74	1"	280	165	125
MultiStream 100/2 B5	80	80	745	565	180	165	550	765	390	85	235	100	55	74	1"	280	165	125
MultiStream 200/2 B6	101	100	910	680	235	190	660	900	480	155	315	110	55	82	1"	345	175	385
MultiStream 300/2 B6	101	100	1000	680	235	190	660	900	480	155	315	110	55	82	1"	345	175	385
MultiStream 10/4 B1	80	80	520	475	130	110	455	675	390	95	225	100	55	74	1"	280	165	125
MultiStream 15/4 B3	80	80	520	490	145	125	470	690	390	95	225	100	55	74	1"	280	165	125
MultiStream 25/4 B4	80	80	520	570	190	160	545	770	390	85	225	100	55	74	1"	280	165	125
MultiStream 35/4 B4	80	80	555	570	190	160	545	770	390	85	225	100	55	74	1"	280	165	125
MultiStream 55/4 B6	101	100	765	670	235	190	650	890	480	155	315	110	55	82	1"	345	175	385
MultiStream 75/4 B6	101	100	765	670	235	190	650	890	480	155	315	110	55	82	1"	345	175	385
MultiStream 25/4 C1	100	100	565	570	185	160	550	790	390	95	270	110	55	82	1"	310	175	150
MultiStream 35/4 C1	100	100	600	570	185	160	550	790	390	95	270	110	55	82	1"	310	175	150
MultiStream 55/4 C5	101	100	765	645	230	180	625	865	480	125	315	110	55	82	1"	345	175	385
MultiStream 75/4 C5	101	100	765	645	230	180	625	865	480	15	315	110	55	82	1"	345	175	385
MultiStream 100/4 C5	101	100	825	645	230	180	625	865	480	125	315	110	55	82	1"	345	175	385
MultiStream 150/4 C6	101	100	910	755	290	250	735	975	580	105	315	110	55	82	1"	345	175	385
MultiStream 230/4 C6	101	100	1000	755	290	250	735	975	580	105	315	110	55	82	1"	345	175	385
MultiStream 300/4 C6	101	100	1000	755	290	250	735	975	580	105	315	110	55	82	1"	345	175	385
MultiStream 55/4 C2	151S	150	790	770	260	200	740	1055	480	150	340	145	80	122	1.5"	435	260	385
MultiStream 75/4 C2	151S	150	790	770	260	200	740	1055	480	150	340	145	80	122	1.5"	435	260	385
MultiStream 100/4 C2	151S	150	850	770	260	200	740	1055	480	150	340	145	80	122	1.5"	435	260	385
MultiStream 150/4 C3	151	150	935	885	325	260	855	1175	630	130	340	145	80	122	1.5"	435	260	385
MultiStream 230/4 C3	151	150	1025	885	325	260	855	1175	630	130	340	145	80	122	1.5"	435	260	385
MultiStream 300/4 C4	151	150	1025	885	325	260	855	1175	630	130	340	145	80	122	1.5"	435	260	385
MultiStream 230/4 C7	200S	200	1070	935	325	260	905	1305	630	175	385	200	80	193	1.5"	535	350	400
MultiStream 300/4 C7	200S	200	1070	935	325	260	905	1305	630	175	385	200	80	193	1.5"	535	350	400

MULTISTREAM

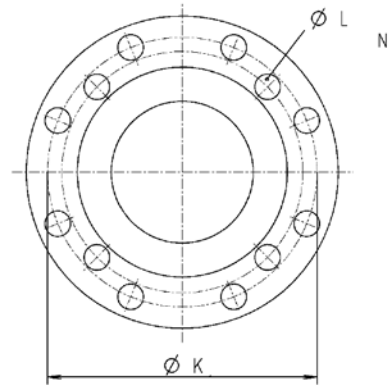
SEWAGE PUMPS

Dimensions pump base



22575-05

Discharge outlet



29044

MULTISTREAM

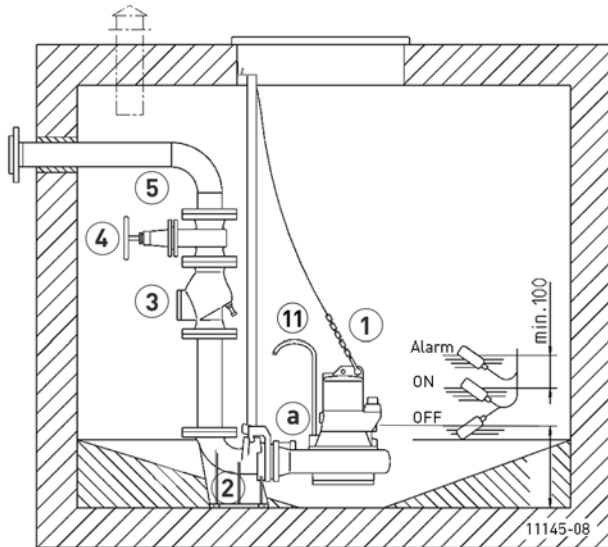
SEWAGE PUMPS

	DN	A	B	C	D	E	F	G	K	L	N
MultiStream 10/2 A1	65	475	325	110	105	135	175	175	130/145	14/18	4
MultiStream 15/2 A1	65	475	325	110	105	135	175	175	130/145	14/18	4
MultiStream 25/2 A2	65	475	345	135	135	135	185	175	130/145	14/18	4
MultiStream 35/2 A2	65	510	345	135	135	135	185	175	130/145	14/18	4
MultiStream 25/2 B1	80	530	340	135	135	185	240	200	150/160	18	4
MultiStream 35/2 B2	80	570	380	145	135	185	240	200	150/160	18	4/8
MultiStream 55/2 B2	80	700	395	145	135	185	240	200	150/160	18	4/8
MultiStream 75/2 B5	80	725	460	195	195	215	280	200	150/160	18	4/8
MultiStream 100/2 B5	80	785	460	195	195	215	280	200	150/160	18	4/8
MultiStream 200/2 B6	100	885	535	235	195	210	290	230	170/180	18	4/8
MultiStream 300/2 B6	100	975	535	235	195	210	290	230	170/180	18	4/8
MultiStream 10/4 B1	80	530	340	135	135	185	240	200	150/160	18	4/8
MultiStream 15/4 B3	80	535	380	160	160	185	240	200	150/160	18	4/8
MultiStream 25/4 B4	80	535	440	190	160	185	240	200	150/160	18	4/8
MultiStream 35/4 B4	80	570	440	190	160	185	240	200	150/160	18	4/8
MultiStream 55/4 B6	100	740	520	235	195	210	290	230	170/180	18	4/8
MultiStream 75/4 B6	100	740	520	235	195	210	290	230	170/180	18	4/8
MultiStream 25/4 C1	100	600	450	195	195	235	305	230	170/180	18	4/8
MultiStream 35/4 C1	100	635	450	195	195	235	305	230	170/180	18	4/8
MultiStream 55/4 C5	100	775	480	230	195	240	320	230	170/180	18	4/8
MultiStream 75/4 C5	100	775	480	230	195	240	320	230	170/180	18	4/8
MultiStream 100/4 C5	100	835	480	230	195	240	320	230	170/180	18	4/8
MultiStream 150/4 C6	100	925	610	290	250	250	330	230	170/180	18	4/8
MultiStream 230/4 C6	100	1015	610	290	250	250	330	230	170/180	18	4/8
MultiStream 300/4 C6	100	1015	610	290	250	250	330	230	170/180	18	4/8
MultiStream 55/4 C2	150	770	580	260	215	240	320	320	225/240	18/22	8
MultiStream 75/4 C2	150	770	580	260	215	240	320	320	225/240	18/22	8
MultiStream 100/4 C2	150	830	580	260	215	240	320	320	225/240	18/22	8
MultiStream 150/4 C3	150	925	695	325	260	250	330	320	225/240	18/22	8
MultiStream 230/4 C3	150	1015	695	325	260	250	330	320	225/240	18/22	8
MultiStream 300/4 C4	150	1015	695	325	260	250	330	320	225/240	18/22	8
MultiStream 230/4 C7	200	1015	725	325	260	250	330	0	295	22	8
MultiStream 300/4 C7	200	1015	725	325	260	250	330	0	295	22	8

MULTISTREAM

SEWAGE PUMPS


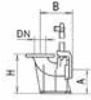
Example of installation guide rail system



Types of operation: Up to 40°C medium temperature
 Motor submerged: continuous operation S1

Motor not submerged intermittent operation S3
 (e.g. 20% = 2 min operation and 8 min pause)

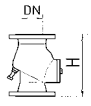
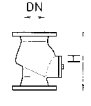
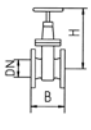
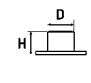
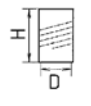
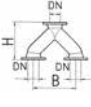
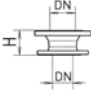
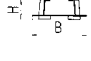
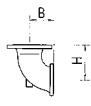

MECHANICAL ACCESSORY

			Code No.
	① Chain	certified, 2.5 m, 320 kg, 5 rings (EN 818 mod.)	JP45901
		certified, 5.0 m, 320 kg, 8 rings (EN 818 mod.)	JP45902
		certified, 7.5 m, 320 kg, 11 rings (EN 818 mod.)	JP47365
		Shackle, certified, 630 kg, stainless steel	JP45904
		Pump hanging (08 Ex - 100...)	JP45925
	② Guide rail system	GR 65 DN 80, 170x226x280 (AxBxH)	JP00494
		GR 80 DN 80, 170x229x280 (AxBxH)	JP00495
		GR 100 DN 100, 200x254x310 (AxBxH)	JP00496
		GR 101 DN 100, 235x254x345 (AxBxH)	JP21037
		GR 151 DN 150, 260x332x435 (AxBxH)	JP00693
		GR 200S DN 200, 305x410x535 (AxBxH)	JP42275
		Securing lever C2	JP50179
		Guide rail 1,5" 1500 mm	JP48968
		Guide rail 1,5" 2000 mm	JP48969
		Guide rail 1,5" 2500 mm	JP48970
Guide rail 1,5" 3000 mm	JP48971		


MULTISTREAM

SEWAGE PUMPS

MECHANICAL ACCESSORY

			Code No.
	③ Swing-type check valve R 80 EN 12050-4 R 80 G EN 12050-4 R 101 EN 12050-4 R 100 G EN 12050-4 R 150 G EN 12050-4	DN 80, PN 4, flange PN 10, EN 558, 260 (H)	JP00706
		DN 80, PN 4, flange PN 10, EN 558, with counter weight, 260 (H)	JP00707
		DN 100, PN 4, flange PN 10, EN 558, 300 (H)	JP00325
		DN 100, PN 4, flange PN 10, EN 558, with counter weight, 300(H)	JP00324
		DN 150, PN 10, flange PN 10, EN 558, with counter weight, 400 (H)	JP00345
	Ball-type check valve K 80 EN 12050-4	DN 80, PN 4, flange PN 10, EN 558, 260 (H)	JP49205
	④ Sluice valve	DN 80, PN 10, EN 1171 315x180 (HxB)	JP00639
		DN 100, PN 10, EN 1171 345x190 (HxB)	JP00329
		DN 150, PN 10, EN 1171 430x210 (HxB)	JP00328
	⑤ Flanged spigot	DN 80 PN 10, F-KS 75x90 (HxD)	JP00686
		DN 80/100, PN 10, F-piece 76x114 (HxD)	JP09821
		DN 100 PN 10, F-KS 153x110 (HxD)	JP08673
		DN 100 PN 10, F-piece 100x114 (HxD)	JP00688
	⑥ Elastic connection	+ Clamps, 2" DN 80 200x90 (HxD)	JP50904
		+ Clamps, 2" DN 100, PN 4 200x110 (HxD)	JP50905
		+ Clamps ,2" DN 100, PN 4 200x114 (HxD)	JP50906
	⑦ Flanged Y-pipe	DN 80/100/80 355x390(HxB), PN 10	JP00448
		DN 80/100/80 355x480(HxB), PN 10	JP00202
		DN 100/100/100 355x480(HxB), PN 10	JP00203
	⑧ Reducing adapter	DN 80/100 to PN 10, (similar FFR-piece), H=100	JP00498
	⑨ Pump base	A 170, for A1 76x245 (HxB)	JP00681
		A 220, for A2, AW1, AW2 90x295 (HxB)	JP00682
		B 170, for B1 115x280 (HxB)	JP00683
		B 220, for B2,B3,B4,BW1 115x315 (HxB)	JP00684
		C 275, for B5,B6,C1,C5,BW2,CW3 145x385 (HxB)	JP00685
		C 325, for C2,CW2 145x565 (HxB)	JP00701
		C 410, for C3,C4,C6,C7 145x650 (HxB)	JP00702
	⑩ Flanged connection	A 80 (similar Q-piece 90°), DN 80 PN10/DN 65 PN6 130x75 (HxB)	JP00577
		B 80 (similar Q-piece 90°), DN 80 PN10/PN6 150x100 (HxB)	JP00578
		C 100 (similar Q-piece 90°), DN 100 PN10/PN6 175x120 (HxB)	JP00579
	⑪ Flushing tube	Type I 10/... - 45/...	JP28221
		Type II 55/... - 100/...	JP28222

ELECTRICAL ACCESSORY

			Code No.
	ⓐ Seal leak detector	DKG (für die Ölkammer)	JP44900