

## PKS 1000 (65/80)

STATIONS DE POMPAGE EN PLASTIQUE POUR POMPES D'ASSAINISSEMENT

EMENT



- Conformément à la norme EN 13598-2
- Carrossable cl. D 400
- Résistant à la corrosion
- Auftriebssicher und grundwasserdicht
- Profondeur maximale d'installation 4,90 m

### DESCRIPTION

The buoyancy proof and practicable plastic sump in high-grade polypropylene (PP) corresponds to EN 13598-2. It is used in pressure drainage systems as well as a standard pump sump. It is suitable for use in areas with traffic load up to 40 tons. (DIN EN 124, group 4). The PKS-D can be placed on natural ground without concrete works. The modular design offers easy transport and installation.

The sump has a connection piece for inlet, two sockets with seal for ventilation and cable duct, a facility for installing a flushing connection and a DN 80 pressure outlet.

The standard installation depth without a cover is 2.77 m. The installation depth can be extended to 5.90 m by the use of sump extensions (installation depth in ground water not more than 5 m). The total volume is 1764 litres. The storage volume below the inlet is 395 litres.

In order to adjust the pumping stations to the required pumping conditions a wide range of single channel impeller or vortex impeller pumps is available, both with or without explosion protection.

# PKS 1000 (65/80)

STATIONS DE POMPAGE EN PLASTIQUE POUR POMPES D'ASSAINISSEMENT

## LIVRAISON

### PKS-D 1000-D65 /D80 (Duplex units)

The poly-sump consist of an underpart with an inlet and a discharge branch, an extension element with tie-bar, a cone 1000/625 and a concrete support ring for the manhole cover (accessory). The segments are sealed with sealing rings.

Inlet socket DN/OD 160 (DN 150) for PVC collar (KGU), 2 sockets DN 100 for ventilation/cable duct, 1 socket plug DN 100,

2 guide rail systems, pipework with non-return valves in DN 80, facility for flushing connection system "Perrot"

### PKS 1000 (65/80)

| Type           | Art.-Nr.       | Poids  |
|----------------|----------------|--------|
| PKS-D 1000 D65 | <b>JP44379</b> | 442 kg |
| PKS-D 1000 D80 | <b>JP44381</b> | 443 kg |

### POMPES UTILISABLES

|                             |                             |                     |
|-----------------------------|-----------------------------|---------------------|
| PKS-D 1000 D65              | MultiFree 15/4 AW2          | MultiStream 25/4 B4 |
| MultiStream 10/2 A1         | MultiFree 25/4 AW2          | MultiStream 35/4 B4 |
| MultiStream 15/2 A1         | MultiFree 35/4 AW2          | MultiFree 25/2 BW1  |
| MultiStream 25/2 A2         | MultiFree 45/4 AW2          | MultiFree 35/2 BW1  |
| MultiStream 35/2+10/2 A2/A1 | MultiFree 15/4 AW2          | MultiFree 45/2 BW1  |
| MultiStream 15/2 A1         | MultiFree 25/4 AW2          | MultiFree 25/2 BW1  |
| MultiStream 25/2 A2         | MultiFree 35/4 AW2          | MultiFree 35/4 BW1  |
| MultiStream 35/2 A2         | MultiFree 45/4 AW2          | MultiFree 45/2 BW1  |
| MultiFree 10/2 AW1          | <b>PKS-D 1000 D80</b>       | MultiFree 15/4 BW1  |
| MultiFree 15/2 AW1          | MultiStream 25/2 B1         | MultiFree 25/4 BW1  |
| MultiFree 25/2 AW1          | MultiStream 35/2+25/2 B2/B1 | MultiFree 35/4 BW1  |
| MultiFree 35/2 AW1          | MultiStream 35/2 B2         | MultiFree 45/4 BW2  |
| MultiFree 45/2 AW1          | MultiStream 10/4 B1         | MultiFree 15/4 BW1  |
| MultiFree 10/2 AW1          | MultiStream 15/4 B3         | MultiFree 25/4 BW1  |
| MultiFree 15/2 AW1          | MultiStream 25/4 B4         | MultiFree 35/4 BW1  |
| MultiFree 25/2 AW1          | MultiStream 35/4 B4         | MultiFree 45/4 BW2  |
| MultiFree 35/2 AW1          | MultiStream 10/4 B1         |                     |
| MultiFree 45/2 AW1          | MultiStream 15/4 B3         |                     |

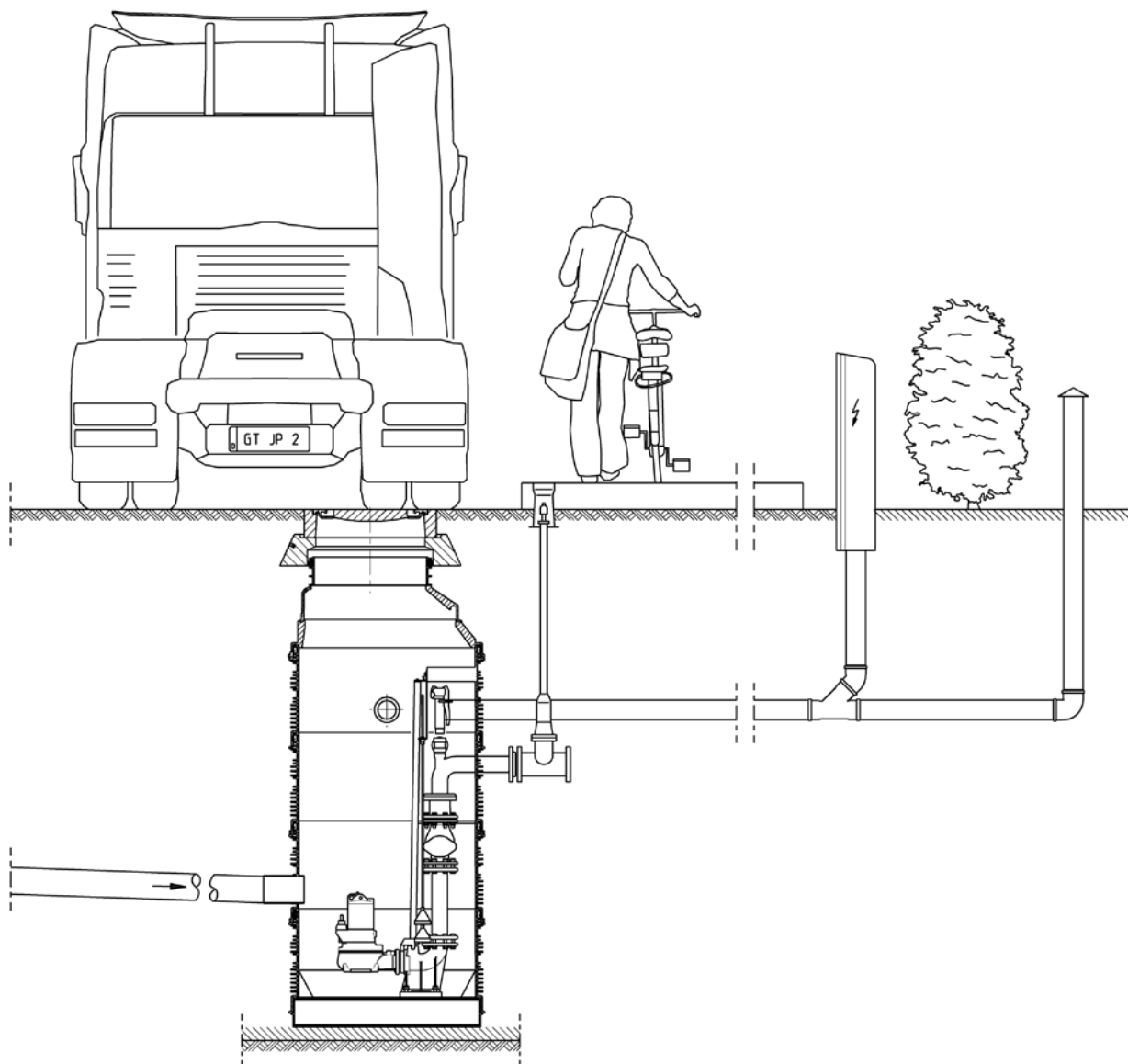
|                              |        |        |        |        |        |
|------------------------------|--------|--------|--------|--------|--------|
| Profondeur de la cuve en m   | 2,77   | 3,27   | 3,77   | 4,27   | 4,77   |
| longueur de tube requis en m | 1,55 m | 2,05 m | 2,55 m | 3,05 m | 3,55 m |

Bei Doppelanlagen bitte Gleitrohr 4x bestellen

# PKS 1000 (65/80)

STATIONS DE POMPAGE EN PLASTIQUE POUR POMPES D'ASSAINISSEMENT

## APPLICATION

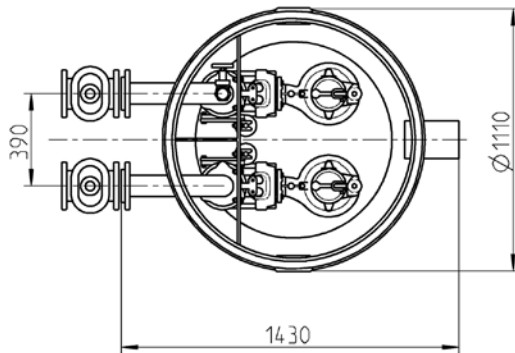
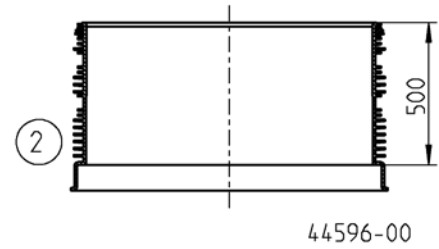
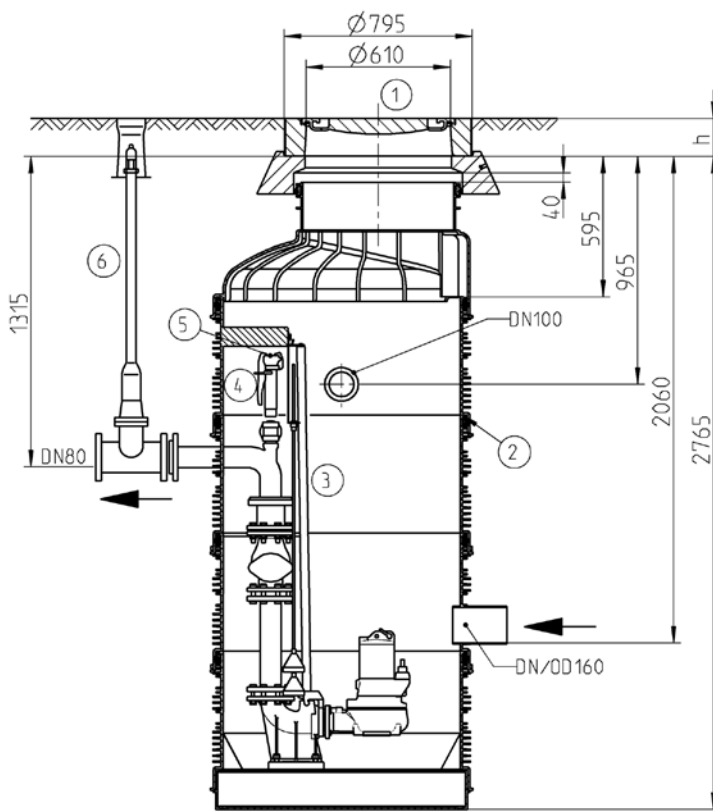


Attention ! Pour des raisons de place, il n'est pas possible d'utiliser des interrupteurs à immersion.

# PKS 1000 (65/80)

STATIONS DE POMPAGE EN PLASTIQUE POUR POMPES D'ASSAINISSEMENT

PKS-D 1000-D65 and D80









44593-01

# PKS 1000 (65/80)

STATIONS DE POMPAGE EN PLASTIQUE POUR POMPES D'ASSAINISSEMENT

## ACCESSOIRES DE L'ARBRE

|   |   |   | Art.-Nr.          |
|---|---|---|-------------------|
|    | <b>① Recouvrement</b>   |   |                   |
|   | Recouvrement sans aération Cl. Ø 610 Cl. B 125, h= 125              | 110 kg                                    | JP44972           |
|   | B d610  |   |                   |
|    | Recouvrement sans aération Cl. without ventilation, Ø 610, h=160    | 190 kg                                    | JP29175           |
|   | C d610  |   |                   |
|   | <b>② Rehausse</b>   | PSV-D 1000x500                            | JP44404           |
|   | <b>③ Barre de guidage, acier inox</b>                               | 1" 1550 mm, profondeur de la cuve, 2,77 m | JP50276           |
|   |   | 1" 2050 mm, profondeur de la cuve, 3,27 m | JP50277           |
|   |   | 1" 2550 mm, profondeur de la cuve, 3,77 m | JP50278           |
|   |   | 1" 3050 mm, profondeur de la cuve, 4,27 m | JP50279           |
|   |   | 1" 3550 mm, profondeur de la cuve, 4,77 m | JP50280           |
|    | <b>④ Perrot</b>   | Raccord de purge -65/80, 1½"              | 3,2 kg<br>JP22353 |
|   | <b>⑤ Accessoires pour raccord de purge perrot</b>                   |   |                   |
|   | Raccord de flexible   | Ø 50 mm                                   | JP19202           |
|   | Raccord DRS   |   | JP22421           |
|   | Brise vacuum  |   | JP22422           |
|  | Système de manomètre  |   | JP44854           |
|   | Accouplement à griffes  |   | JP22420           |
|   | Embout taraudé 1"   |   | JP22466           |
|   | <b>⑥ Vanne pour application souter-<br/>raîne avec bouche à clé</b> | Couvercle de tuyau 700 mm                 | JP18938           |
|   |   | Couvercle de tuyau 1000-1400 mm           | JP18939           |
|   |   | Couvercle de tuyau 1,25-1,80 m            | JP18940           |
|   |   | Erdeinbauschieber DN80                    | JP18936           |
|   | <b>⑦ Tuyau d'aération</b>   | DN 100 Acier Inox, 700 mm                 | JP44858           |
|   | <b>⑧ Deuxième entrée</b>  | DN 150                                    | JP44523           |
|   |   | DN 200                                    | JP44524           |
|   |   | DN 250                                    | JP44525           |
|  | <b>⑨ Lubrifiant</b>   | Tube 1 kg (suffisant pour 2 joints)       | JP44605           |
|   |   | 3 kg seau                                 | JP44606           |