

PKS 1000 (65/80)

STAZIONI DI POMPAGGIO IN PLASTICA PER POMPE PER ACQUE CARICHE

CHE



- Conforme EN 13598-2
 - Carrabile fino a classe D 400
 - Resistente alla corrosione
 - Sicuro contro le spinte
- idrostatiche e a tenuta di acque freatiche
 - Massima profondità d'installazione 4,90 m

DESCRIZIONE

The buoyancy proof and practicable plastic sump in high-grade polypropylene (PP) corresponds to EN 13598-2. It is used in pressure drainage systems as well as a standard pump sump. It is suitable for use in areas with traffic load up to 40 tons. (DIN EN 124, group 4). The PKS-D can be placed on natural ground without concrete works. The modular design offers easy transport and installation.

The sump has a connection piece for inlet, two sockets with seal for ventilation and cable duct, a facility for installing a flushing connection and a DN 80 pressure outlet.

The standard installation depth without a cover is 2.77 m. The installation depth can be extended to 5.90 m by the use of sump extensions (installation depth in ground water not more than 5 m). The total volume is 1764 litres. The storage volume below the inlet is 395 litres.

In order to adjust the pumping stations to the required pumping conditions a wide range of single channel impeller or vortex impeller pumps is available, both with or without explosion protection.

PKS 1000 (65/80)

STAZIONI DI POMPAGGIO IN PLASTICA PER POMPE PER ACQUE CARICHE

FORNITURA

PKS-D 1000-D65 /D80 (Duplex units)

The poly-sump consist of an underpart with an inlet and a discharge branch, an extension element with tie-bar, a cone 1000/625 and a concrete support ring for the manhole cover (accessory). The segments are sealed with sealing rings.

Inlet socket DN/OD 160 (DN 150) for PVC collar (KGU), 2 sockets DN 100 for ventilation/cable duct, 1 socket plug DN 100,

2 guide rail systems, pipework with non-return valves in DN 80, facility for flushing connection system "Perrot"

PKS 1000 (65/80)

Tipo	Codice	Peso
PKS-D 1000 D65	JP44379	442 kg
PKS-D 1000 D80	JP44381	443 kg

POMPE UTILIZZABILI

PKS-D 1000 D65	MultiFree 15/4 AW2	MultiStream 25/4 B4
MultiStream 10/2 A1	MultiFree 25/4 AW2	MultiStream 35/4 B4
MultiStream 15/2 A1	MultiFree 35/4 AW2	MultiFree 25/2 BW1
MultiStream 25/2 A2	MultiFree 45/4 AW2	MultiFree 35/2 BW1
MultiStream 35/2+10/2 A2/A1	MultiFree 15/4 AW2	MultiFree 45/2 BW1
MultiStream 15/2 A1	MultiFree 25/4 AW2	MultiFree 25/2 BW1
MultiStream 25/2 A2	MultiFree 35/4 AW2	MultiFree 35/4 BW1
MultiStream 35/2 A2	MultiFree 45/4 AW2	MultiFree 45/2 BW1
MultiFree 10/2 AW1	PKS-D 1000 D80	MultiFree 15/4 BW1
MultiFree 15/2 AW1	MultiStream 25/2 B1	MultiFree 25/4 BW1
MultiFree 25/2 AW1	MultiStream 35/2+25/2 B2/B1	MultiFree 35/4 BW1
MultiFree 35/2 AW1	MultiStream 35/2 B2	MultiFree 45/4 BW2
MultiFree 45/2 AW1	MultiStream 10/4 B1	MultiFree 15/4 BW1
MultiFree 10/2 AW1	MultiStream 15/4 B3	MultiFree 25/4 BW1
MultiFree 15/2 AW1	MultiStream 25/4 B4	MultiFree 35/4 BW1
MultiFree 25/2 AW1	MultiStream 35/4 B4	MultiFree 45/4 BW2
MultiFree 35/2 AW1	MultiStream 10/4 B1	
MultiFree 45/2 AW1	MultiStream 15/4 B3	

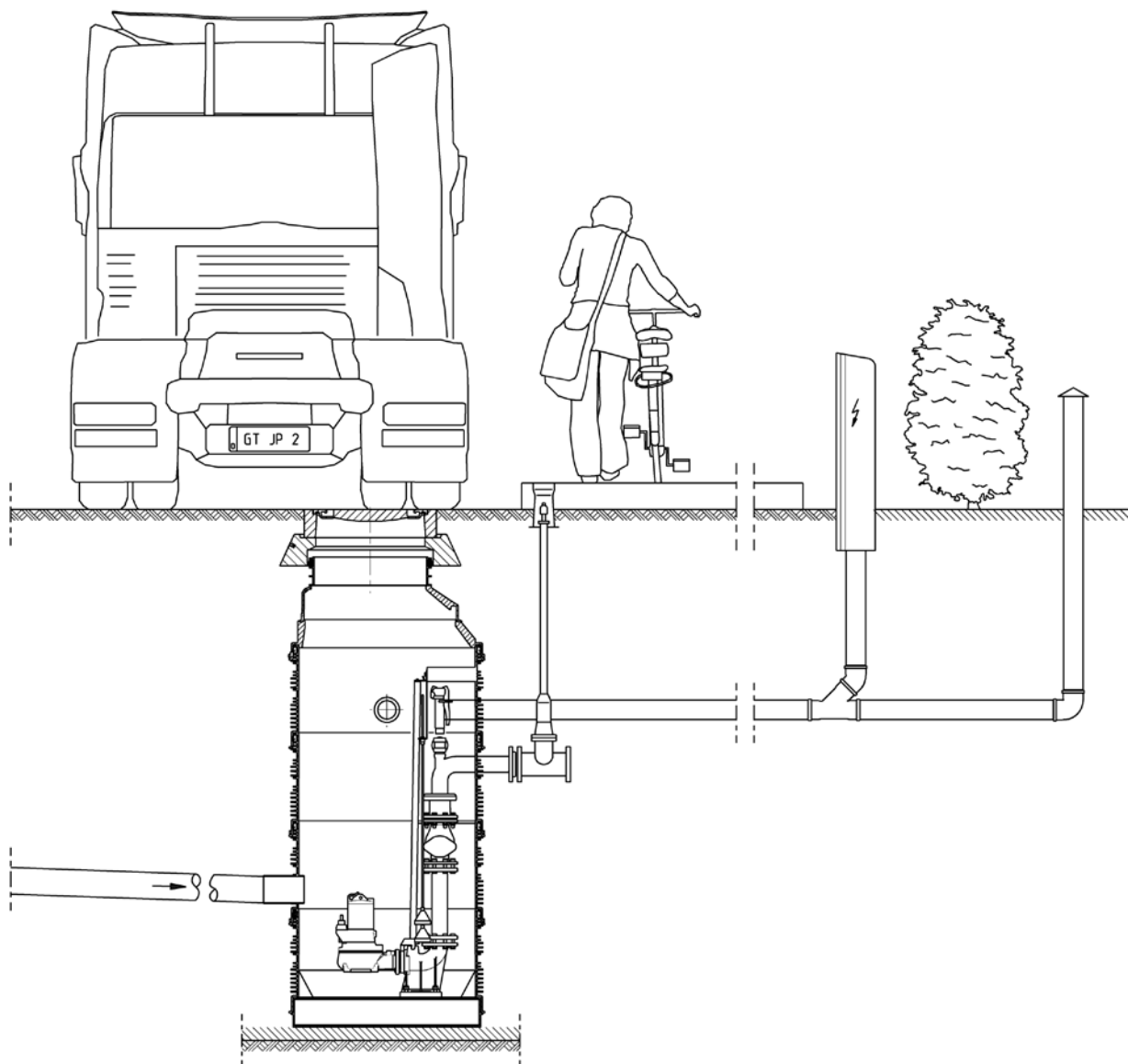
Profondità del pozzetto in m	2,77	3,27	3,77	4,27	4,77
Lunghezza tubo richiesta, in m	1,55 m	2,05 m	2,55 m	3,05 m	3,55 m

Bei Doppelanlagen bitte Gleitrohr 4x bestellen

PKS 1000 (65/80)

STAZIONI DI POMPAGGIO IN PLASTICA PER POMPE PER ACQUE CARICHE

APPLICATION

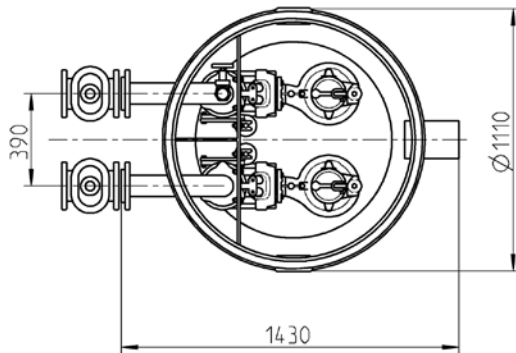
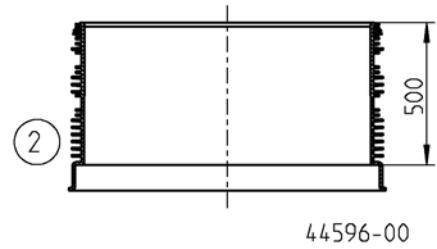
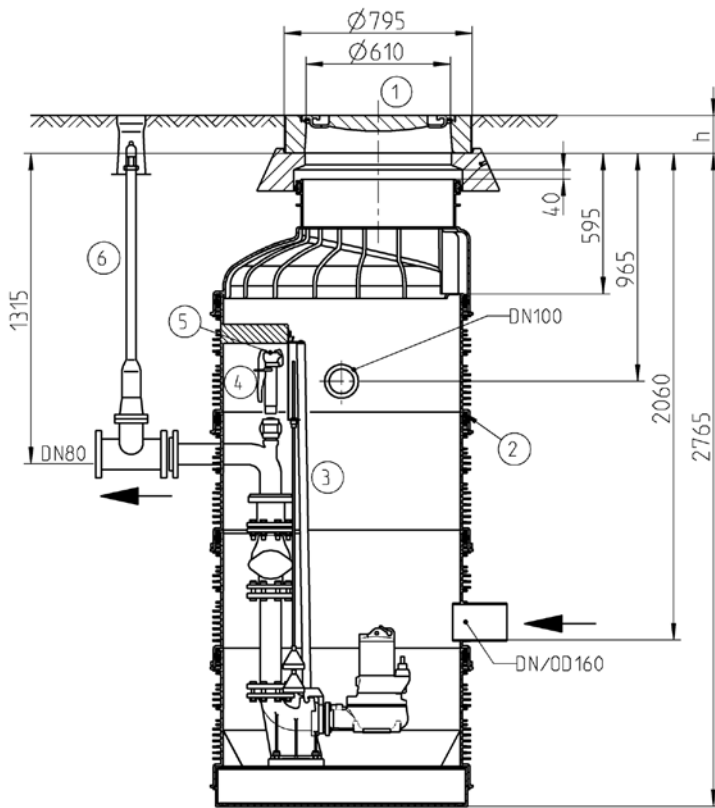


Achtung: Per motivi di spazio non è possibile l'uso di galleggianti a immersione.

PKS 1000 (65/80)

STAZIONI DI POMPAGGIO IN PLASTICA PER POMPE PER ACQUE CARICHE







PKS-D 1000-D65 and D80



PKS 1000 (65/80)

STAZIONI DI POMPAGGIO IN PLASTICA PER POMPE PER ACQUE CARICHE

ACCESSORI DELL'ALBERO

			Codice
	① Copertura Cover cl. B	without ventilation, Ø 610, h= 125	110 kg JP44972
	Cover cl. D	without ventilation, Ø 610, h=160	190 kg JP29175
	② Prolunga pozzetto	PSV-D 1000x500	JP44404
	③ Guide di scorrimento	1", 1550 mm, profondità dell'albero 2,77 m	JP50276
		1", 2050 mm, profondità dell'albero 3,27 m	JP50277
		1", 2550 mm, profondità dell'albero 3,77 m	JP50278
		1", 3050 mm, profondità dell'albero 4,27 m	JP50279
		1", 3550 mm, profondità dell'albero 4,77 m	JP50280
	④ Perrot	Raccordo di lavaggio -65/80, 1½"	3,2 kg JP22353
	⑤ Accessories for Perrot flushing connection	Bussola di riduzione Perrot Ø 50 mm	JP19202
		Attacco DRS Perrot	JP22421
		Manometro Perrot	JP22422
		Manometro Perrot	JP44854
		Giunto a denti Perrot	JP22420
	Attacco filettato Perrot 1"		JP22466
	⑥ Set of earth installation equipment	Rohrdeckung 0,7 m	JP18938
		Rohrdeckung 1,0-1,4 m	JP18939
		Rohrdeckung 1,25-1,80 m	JP18940
		Erdeinbauschieber DN80	JP18936
	⑦ Tubo di ventilazione	DN 100 acciaio, 700 mm	JP44858
	⑧ Secondo ingresso	DN 150	JP44523
		DN 200	JP44524
		DN 250	JP44525
	⑨ Lubrificante	tubo 1 kg	JP44605
		secchio 3 kg	JP44606