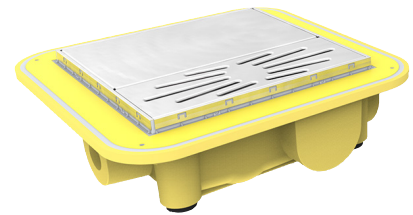


# PLANCOFIX PLUS

FLOOR DRAINAGE PUMPS

- Installation depth 9 cm
- Inlet from above through the floor drain or from the side
- Drain can be tiled or in stainless steel
- Seal collar for attaching to the customer's thin-bed waterproofing system
- Easy cleaning and maintenance
- Optional secondary drain
- Quiet operation: < 25 dB(A), fulfils the increased sound protection according to DIN 4109



## DESCRIPTION

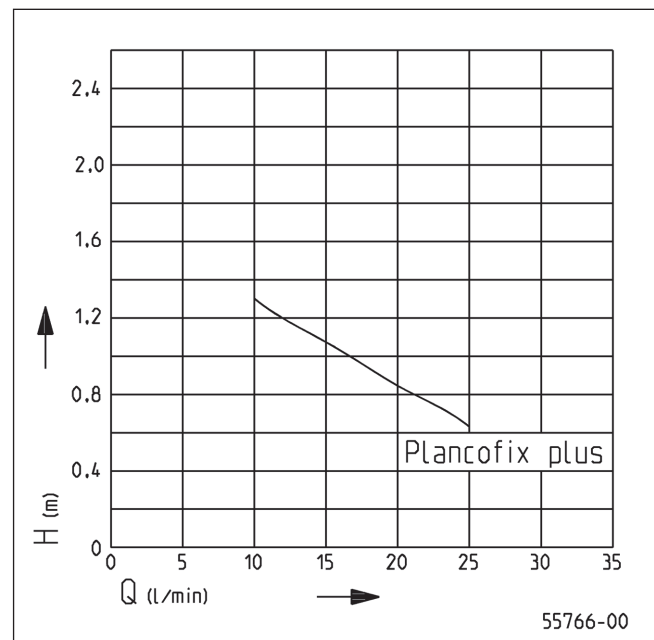
Plancofix Plus is a floor drainage pump that allows barrier-free or low entry showers to be fitted even where the lack of a gravity drain ruled out this option in the past. It must not be used for back flow protection.

Set into the screed, the Plancofix Plus forms the floor drain in tiled showers. The incoming water is pumped to the nearest downpipe through a 1 inch pressure pipe. The transfer point into the downpipe must be at least 25 cm above the Plancofix.

The inflow from the shower can enter either directly from above through the floor drain, or from the side through a connecting branch.

The Plancofix plus has a smaller motor, which allows the a lower installation depth of 9 cm including the insulation tray. It is recommended for installation situations where only very low heights must be overcome.

## PERFORMANCE



Type	Delivery head H [m]	0.5	1	1.3
Plancofix plus	Flow rate Q [l/min]	26	16	10

Specifications can be changed without notice. Performance subject to ISO 9906 tolerances.



# PLANCOFIX PLUS

## FLOOR DRAINAGE PUMPS

### SCOPE OF SUPPLY

Ready to connect unit with tileable floor drain, synchronous motor with non-chlogging hydraulics, insulating tray for sound

compensation, height adjustment feet and ready-prepared for connection to a sealing membrane.

### MECHANICAL DATA

Pump	Horizontal, single-stage	Pressure outlet	1" IG
Mounted circuit	Yes	Weight	4 kg

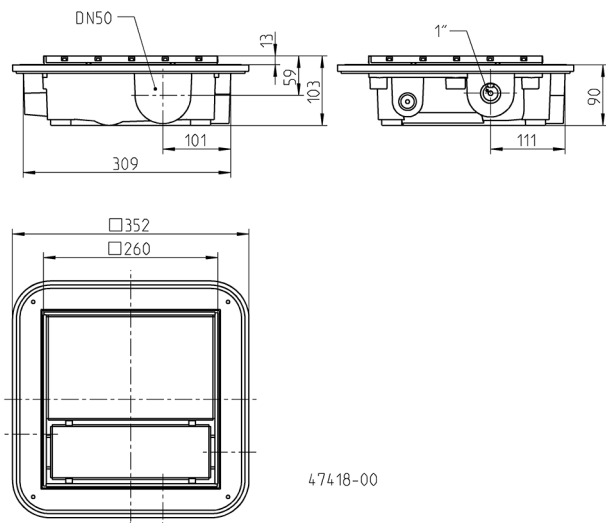
### ELECTRICAL DATA

Voltage	1/N/PE~230 V	Wires	3G0,75 GR
Motor rating P1	30 W	Winding thermostat	Yes
Current	0.2 A	Motor protection	Installed in the winding
Power line	5m H05VV-F	Plug	Without

### PLANCOFIX PLUS

Type	Code No.
Plancofix plus	JP47014

### Dimensions Plancofix plus (mm)



### Example of installation

