

## SKS 1000

POLY-SUMPS FOR DRAINAGE WATER

- According EN 13598-2
- Suitable for traffic up to class D 400
- Corrosion-proof
- Buoyancy-proof and ground water proof
- Max. installation depth 4.90 m



### DESCRIPTION

The buoyancy proof and practicable plastic sump in high-grade polypropylene (PP) corresponds to EN 13598-2. It is suitable for use in areas with traffic load up to 40 tons. (DIN EN 124, group 4). The SKS 1000 can be placed on natural ground without concrete works. The modular design offers easy transport and installation.

In order to adjust the pumping stations to the required pumping conditions a wide range of drainage pumps is available.

Both versions (single- and duplex units) have a spigot for inlet, two sockets with seal for ventilation/cable pipe, a facility for installing a flushing connection and a pressure outlet DN 50.

The standard installation depth without a cover is 2.27 m. The installation depth can be extended to 4.90 m by the use of sump extensions (installation depth in ground water not more than 5 m). The total volume is 1372 litres. The volume storage below the inlet is 396 litres.

If extensions are used, one of the extensions must be ordered with a tie-bar.

# SKS 1000

## POLY-SUMPS FOR DRAINAGE WATER

### SCOPE OF SUPPLY

#### SKS-D 1000-50 (Single unit)

The poly-sump consist of an underpart with an inlet and a discharge branch, an extension element, a cone 1000/625 and a concrete support ring for the manhole cover (accessory). The segments are sealed with sealing rings.

Inlet socket DN/OD 160 (DN 150) for PVC collar (KGU), 2 sockets DN 100 for ventilation/cable duct, 1 socket plug DN 100.

Guide rail system, pipework DN 50, elbow ball check valve DN 50, stop valve in DN 50 in stainless steel

#### SKS-D 1000-D50 (Duplex unit)

The poly-sump consist of an underpart with an inlet and a discharge branch, an extension element, a cone 1000/625 and a concrete support ring for the manhole cover (accessory). The segments are sealed with sealing rings.

Inlet socket DN/OD 160 (DN 150) for PVC collar (KGU), 2 sockets DN 100 for ventilation/cable duct, 1 socket plug DN 100, coupling feets, pressure outlet DN 50, ball check valve DN 50, maintenance stop valve DN 50.

### SKS 1000

Type	Code No.	Weight
SKS-D 1000-50	<b>JP50303</b>	285 kg
SKS-D 1000-D50	<b>JP50304</b>	305 kg

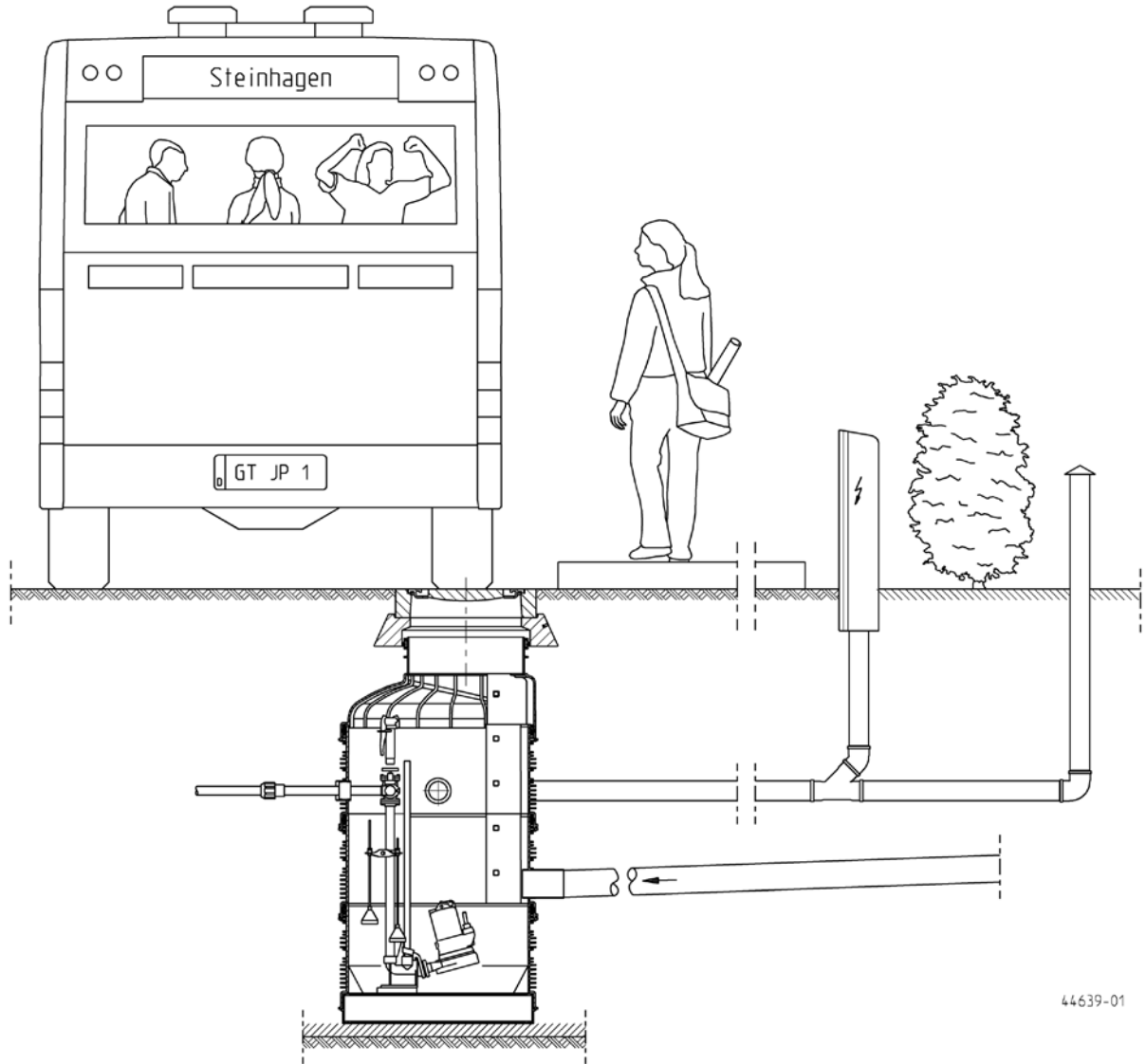
### POSSIBLE PUMPS

SKS-D 1000-50	US 151 ES/DS	US 73 E/D
US 62 ES/DS	UV 620-1 S	US 103 E/D
US 102 ES/DS	UV 620-3 S	US 153 E/D
US 152 ES/DS	UV 625-3 S	US 253 D
US 73 ES/DS	UV 635-3 S	US 75 E/D
US 103 ES/DS	<b>SKS-D 1000-D50</b>	US 105 E/D
US 153 ES/DS	US 62 E/D	US 155 E/D
US 253 DS	US 102 E/D	UV 620-1
US 75 ES/DS	US 152 E/D	UV 620-3
US 105 ES/DS	US 151 E/D	UV 625-3
US 155 ES/DS	US 251 D	UV 635-3

# SKS 1000

POLY-SUMPS FOR DRAINAGE WATER

## SKS-D1000

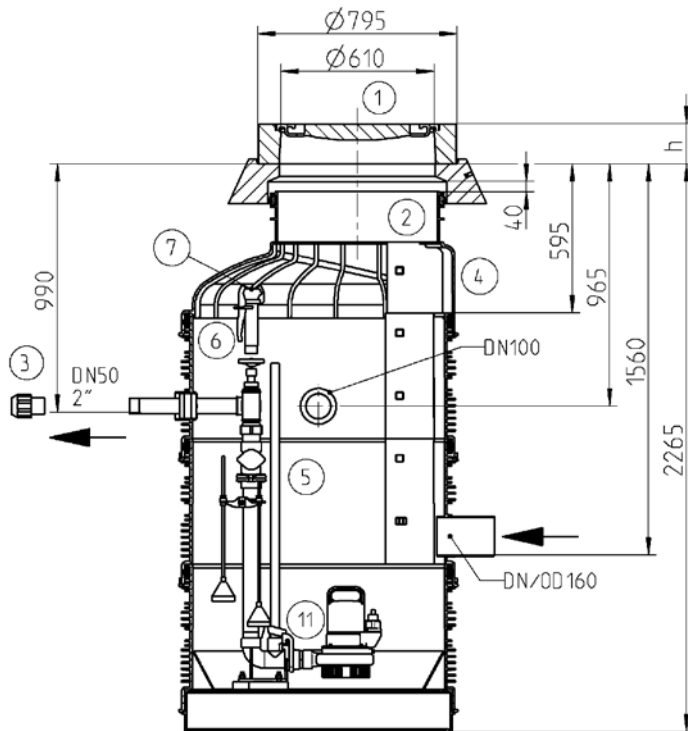


Attention: Concerning space capacity the installation of submersible switches is not possible.

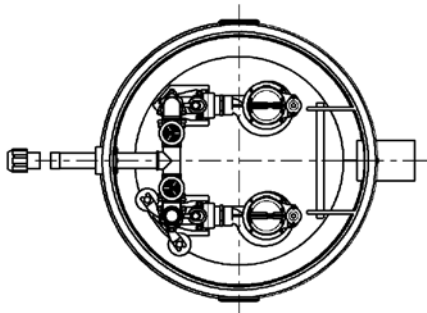
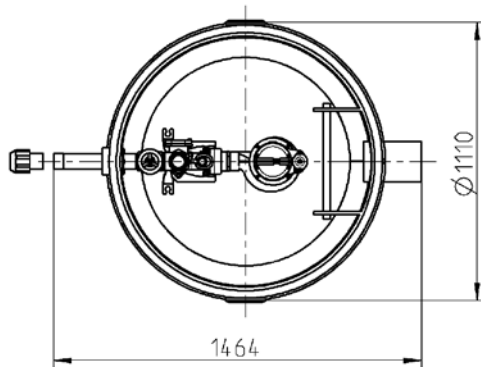
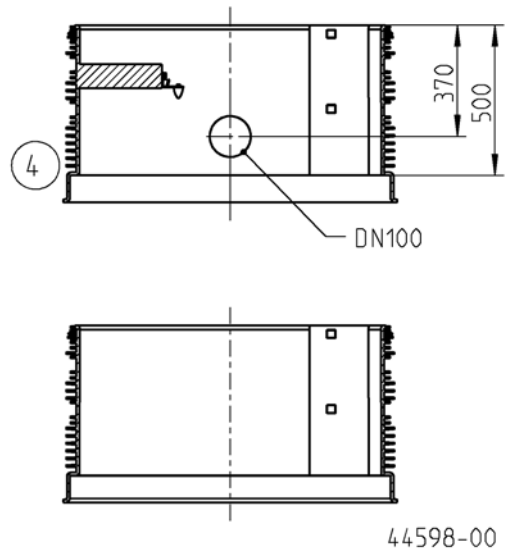
# SKS 1000

POLY-SUMPS FOR DRAINAGE WATER

SKS-D 1000/SKS-D 1000-D50



With ladder



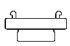



49757-02

# SKS 1000

POLY-SUMPS FOR DRAINAGE WATER

## SUMP ACCESSORIES

				Code No.
	<b>① Concrete cover</b>			
	Cover cl. B	Ø 610, h=125, D 750	110 kg	JP44972
	Cover cl. D	Ø 610, h=160	190 kg	JP29175
	<b>② Access aid</b>			
	Access aid, grab handle			JP44610
	Access aid, sleeve			JP44611
	<b>③ Screwed joint</b>			
	2" to Ø 63 mm (DN 50)			JP45950
	<b>④ Sump extension</b>			
	PSV-D 1000x500 SGT	Tie-bar, ladder	34,0 kg	JP44407
	PSV-D 1000x500 SG	Ladder	16,6 kg	JP44403
	<b>⑤ Guide rail, stainless steel</b>			
	1", 1150 mm, sump depth 2,27 m		2,8 kg	JP50268
	1", 1650 mm, sump depth 2,77 m		4,0 kg	JP50269
	1", 2150 mm, sump depth 3,27 m		5,2 kg	JP50270
	1", 2650 mm, sump depth 3,77 m		6,5 kg	JP50271
	1", 3150 mm, sump depth 4,27 m		7,5 kg	JP50272
	1", 3650 mm, sump depth 4,77 m		9,0 kg	JP50273
	<b>⑥ Perrot</b>	Flushing connection -65/80, 1/2"	3,2 kg	JP22353
	<b>Hose coupling</b>			
	Coupling Storz C	1/2" male thread		JP44770
	<b>⑦ Accessories for Perrot flushing connection</b>			
	Perrot breathing valve			JP22422
	Perrot pressure gauge			JP44854
	<b>⑧ Ventilation pipe</b>	DN 100 stainless steel, , 700 mm		JP44858
	<b>⑨ Second or changed inlet</b>			
		DN 150		JP44523
		DN 200		JP44524
		DN 250		JP44525
	<b>⑩ Seal lubricant</b>	1 kg tube (enough for 2 gaskets)		JP44605
	<b>⑪ Reducing socket</b>	1/2"-2" for mounting pumps with 1 1/2" discharge		JP48069
	<b>⑫ Securing levers</b>	for US 75, US 105, US 155, stainless steel		JP41024