

SKS 1000

VUILWATERSCHACHTEN

- Volgens DIN EN 13598-2
- Berijdbaar tot verkeers D 400
- Corrosiebestendig
- Anti opdrijfbestending en grondwaterdicht
- Inbouwdiepte 4,90 m



BESCHRIJVING

The buoyancy proof and practicable plastic sump in high-grade polypropylene (PP) corresponds to EN 13598-2. It is suitable for use in areas with traffic load up to 40 tons. (DIN EN 124, group 4). The SKS 1000 can be placed on natural ground without concrete works. The modular design offers easy transport and installation.

In order to adjust the pumping stations to the required pumping conditions a wide range of drainage pumps is available.

Both versions (single- and duplex units) have a spigot for inlet, two sockets with seal for ventilation/cable pipe, a facility for installing a flushing connection and a pressure outlet DN 50.

The standard installation depth without a cover is 2.27 m. The installation depth can be extended to 4.90 m by the use of sump extensions (installation depth in ground water not more than 5 m). The total volume is 1372 litres. The volume storage below the inlet is 396 litres.

If extensions are used, one of the extensions must be ordered with a tie-bar.

SKS 1000

VUILWATERSCHACHTEN

LEVERINGSOMVANG

SKS-D 1000-50 (Single unit)

The poly-sump consist of an underpart with an inlet and a discharge branch, an extension element, a cone 1000/625 and a concrete support ring for the manhole cover (accessory). The segments are sealed with sealing rings.

Inlet socket DN/OD 160 (DN 150) for PVC collar (KGU), 2 sockets DN 100 for ventilation/cable duct, 1 socket plug DN 100.

Guide rail system, pipework DN 50, elbow ball check valve DN 50, stop valve in DN 50 in stainless steel

SKS-D 1000-D50 (Duplex unit)

The poly-sump consist of an underpart with an inlet and a discharge branch, an extension element, a cone 1000/625 and a concrete support ring for the manhole cover (accessory). The segments are sealed with sealing rings.

Inlet socket DN/OD 160 (DN 150) for PVC collar (KGU), 2 sockets DN 100 for ventilation/cable duct, 1 socket plug DN 100, coupling feets, pressure outlet DN 50, ball check valve DN 50, maintenance stop valve DN 50.

SKS 1000

Type	Art.-Nr.	Gewicht
SKS-D 1000-50	JP50303	285 kg
SKS-D 1000-D50	JP50304	305 kg

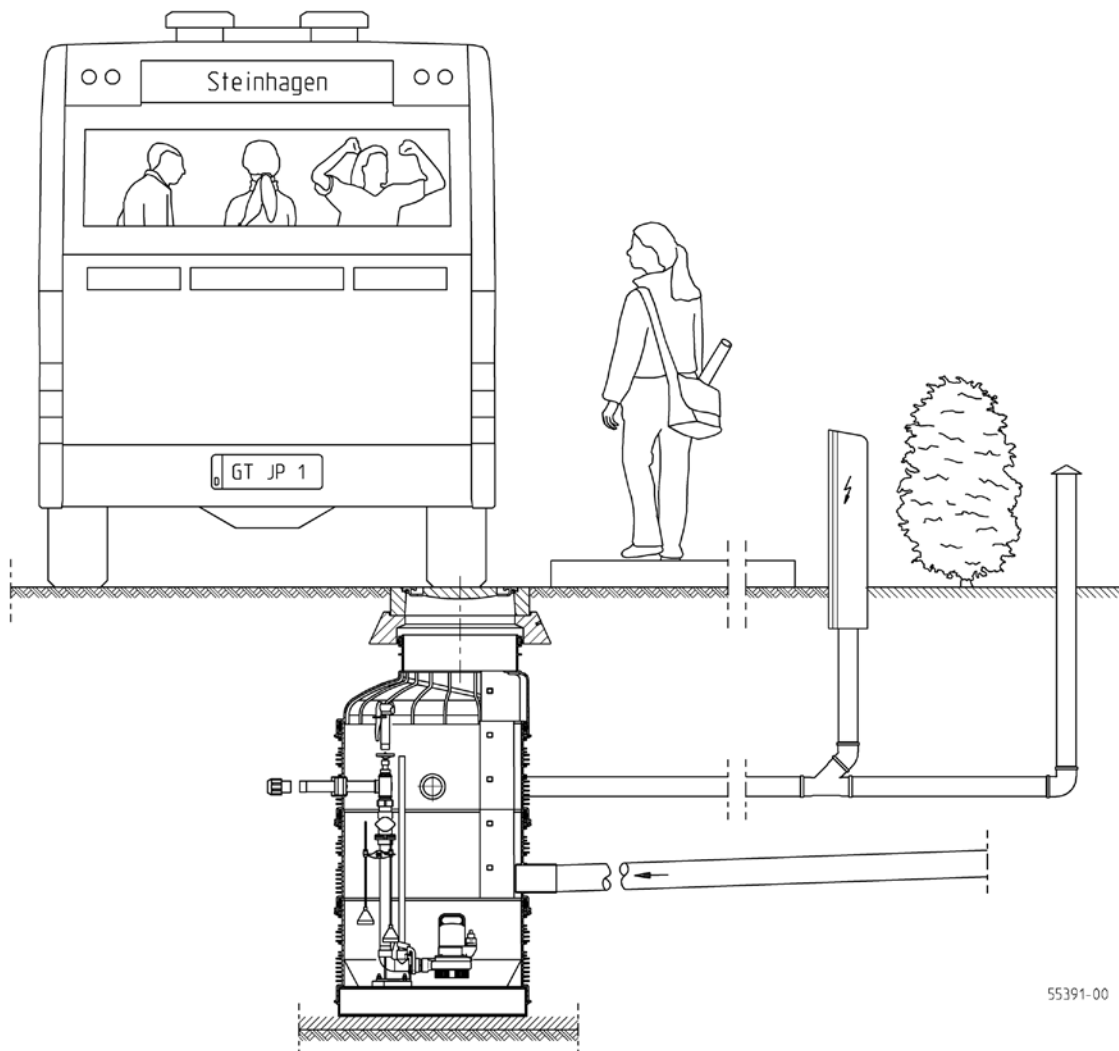
MOGELIJKE POMPEN

SKS-D 1000-50	US 151 ES/DS	US 73 E/D
US 62 ES/DS	UV 620-1 S	US 103 E/D
US 102 ES/DS	UV 620-3 S	US 153 E/D
US 152 ES/DS	UV 625-3 S	US 253 D
US 73 ES/DS	UV 635-3 S	US 75 E/D
US 103 ES/DS	SKS-D 1000-D50	US 105 E/D
US 153 ES/DS	US 62 E/D	US 155 E/D
US 253 DS	US 102 E/D	UV 620-1
US 75 ES/DS	US 152 E/D	UV 620-3
US 105 ES/DS	US 151 E/D	UV 625-3
US 155 ES/DS	US 251 D	UV 635-3

SKS 1000

VUILWATERSCHACHTEN

SKS-D1000



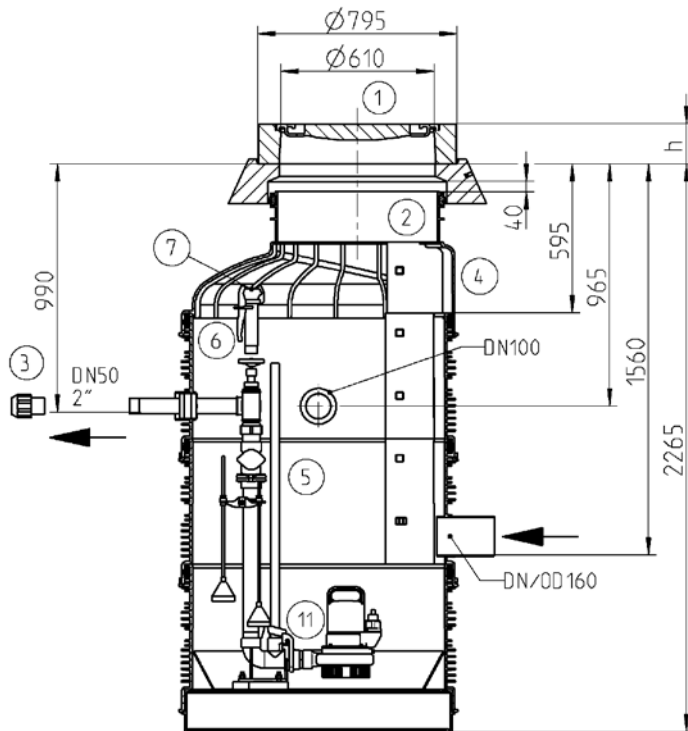
55391-00

Attention: Concerning space capacity the installation of submersible switches is not possible.

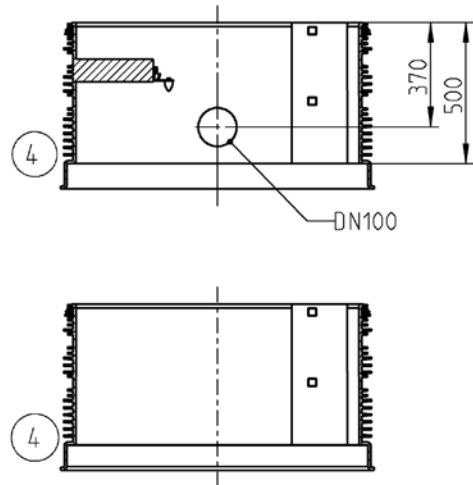
SKS 1000

VUILWATERSCHACHTEN

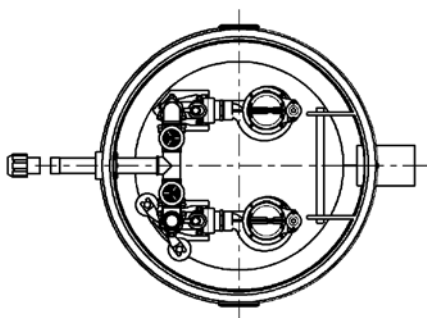
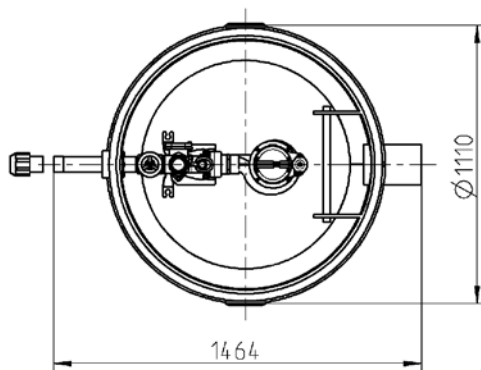
SKS-D 1000/SKS-D 1000-D50



With ladder



44598-01








49757-02

SKS 1000

VUILWATERSCHACHTEN

PUT ACCESSOIRES

				Art.-Nr.
	① Betonnen afdekking			
	afdekplaat Kl. B	o. Ventilatie, Ø 610, h= 125	110 kg	JP44972
	afdekplaat Kl. D	o. Ventilatie, Ø 610, h=160	190 kg	JP29175
	② Toegangshulp			
	Toegangshulp d.m.v. Handgreep			JP44610
	Toegangshulp d.m.v. Huls			JP44611
	③ Geschroefde verbinding			
	2" tot Ø 63 mm (DN 50)			JP45950
	④ Reservoir uitbreiding	PSV-D 1000x500 SGT	Doorkruisen, klimmen	34,0 kg
		PSV-D 1000x500 SG	Klimmen	16,6 kg
	⑤ Geleidebuis, roestvrij staal	1", 1150 mm, schachtdiepte 2,27 m	2,8 kg	JP50268
		1", 1650 mm, schachtdiepte 2,77 m	4,0 kg	JP50269
		1", 2150 mm, schachtdiepte 3,27 m	5,2 kg	JP50270
		1", 2650 mm, schachtdiepte 3,77 m	6,5 kg	JP50271
		1", 3150 mm, schachtdiepte 4,27 m	7,5 kg	JP50272
		1", 3650 mm, schachtdiepte 4,77 m	9,0 kg	JP50273
	⑥ Perrot	Spoeelaansluiting -65/80, 11/2"	3,2 kg	JP22353
	⑦ Accessoires voor Perrot spoelaansluiting			
	Perrot slangaansluiting	Ø 50 mm		JP19202
	Perrot Vacuümbreker			JP22422
	Perrot drukmeetapparaat			JP44854
	Perrot klauwkoppeling			JP22420
	⑧ Beluchtungspijp	DN 100 roestvrijstaal, 700 mm		JP44858
	⑨ Tweede of gewijzigde inlaat		DN 150	JP44523
			DN 200	JP44524
			DN 250	JP44525
	⑩ Afdichtingsmeermiddel	1 kg pot (genoeg voor 2 pakkingen)		JP44605
		Emmer van 3 kg		JP44606
	⑪ Reduceermof	1½"-2" voor montage van pompen met 1 1/2" afvoer		JP48069
	⑫ Veiligheidshende	voor US 75, US 105, US 155, roestvrij staal		JP41024