

US 73 EX- US 103 EX

SUBMERSIBLE DRAINAGE PUMPS WITH EXPLOSION-PROOF

- Stationary use
- 30 mm free passage
- Controllable oil chamber
- SiC mechanical seal
- independent of sense of rotation
- Replaceable moisture sealed cable inlet



DESCRIPTION

These robust centrifugal submersible drainage pumps US 73 Ex and US 103 Ex can be used for the handling of contaminated water containing fibres and particles up to 30 mm size (no stones). The pumps are suitable for mounting in collection chambers and pits located in hazardous areas. Hazardous areas are usually designated where the drainage system is fed from areas with vehicles, car parks, garages, tank farms or laboratories, etc.

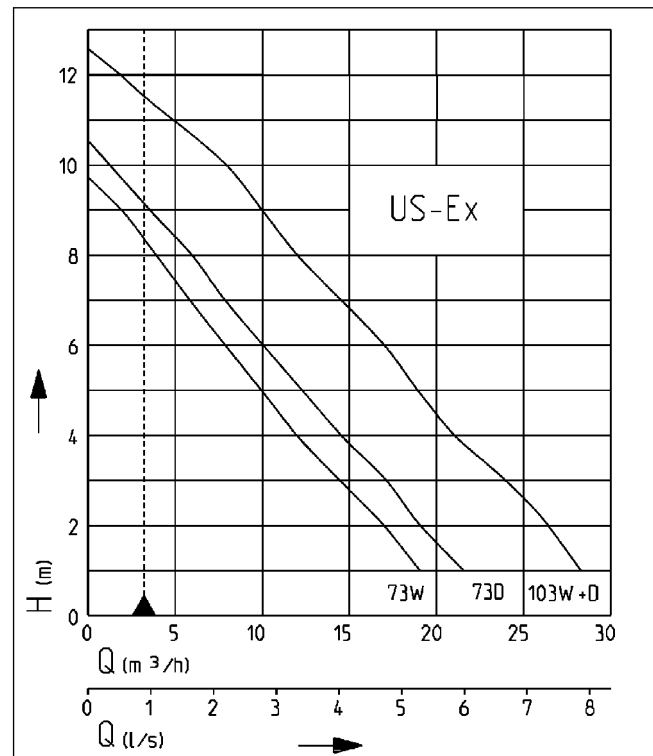
Type of protection Ex II 2 G Ex db IIB T4 Gb

The light weight of the pumps and low power consumption make the unit ideal for dealing with contaminated liquids in an economic manner.

This range of pumps is suitable for stationary use. For easy removal of the pumps from deep sumps we recommend the use of our guide rail systems GR 40 which provide ease of maintenance and inspection. A controllable oil chamber and wear-resistant special mechanical seal ensure a long service life. For automatic monitoring of the oil chamber a seal leak control can be connected.

According to Ex-proof testing regulations, these pumps are provided with winding thermostats and can only be used with the equivalent control unit (see accessories).

PERFORMANCE



Type	Delivery head H [m]	1	2	3	4	5	6	7	8	9	10	12
US 73 E Ex	Flow rate Q [m³/h]	19	17	15	12	10	8	6	4	2		
US 73 D Ex		22	20	17	15	12	10	8	6	4		
US 103 E/D Ex		28	26	23	21	19	17	15	12	10	8	2

Specifications can be changed without notice. Performance subject to ISO 9906 tolerances.

The minimum flow velocity in the pressure piping must be 0.7 m/s according to EN 12056. This data is represented in the performance curve as a limit of application.



US 73 EX- US 103 EX

SUBMERSIBLE DRAINAGE PUMPS WITH EXPLOSION-PROOF

SCOPE OF SUPPLY

Pump according to EN 12050 ready for connection with 10 m cable.

MECHANICAL DATA

Pump	Vertical single-stage	Seal on medium side	SiC mechanical seal
Ex-proof	With ex-proof	Run dry protection	Yes
Free passage	30 mm	Shaft	Stainless steel
Bearing	Ball bearings, grease-lubricated	Impeller	Vortex impeller, GFK
Seal on motor side	Duplex rotary shaft seals	Motor housing	Grey cast iron
Oil chamber	Yes	Submersible	Yes
		Pressure outlet	IG 1 1/2"

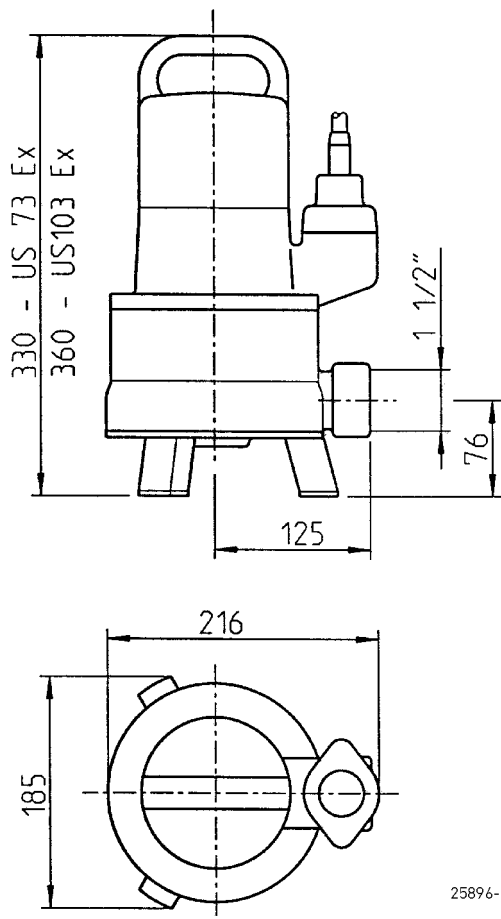
ELECTRICAL DATA

Power line	10m H07RN-F	Insulation class	F
Wires	6G1,5	Winding thermostat	Yes
Type of enclosure	IP 68	Plug	Without

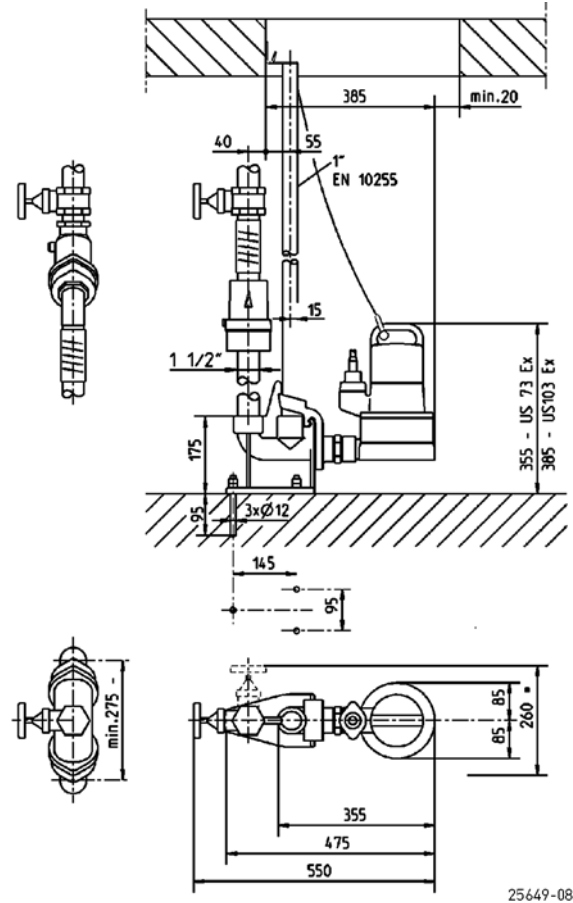
US 73 EX- US 103 EX

Type	Code No.	Voltage	Motor rating		Current	Weight
			P1	P2		
US 73 E Ex	JP09292	1/N/PE~230 V	0.83 kW	0.50 kW	3.9 A	19.0 kg
US 73 D Ex	JP00595	3/PE~400 V	0.85 kW	0.60 kW	1.4 A	19.0 kg
US 103 E Ex	JP09294	1/N/PE~230 V	1.37 kW	0.98 kW	6.0 A	21.5 kg
US 103 D Ex	JP09293	3/PE~400 V	1.36 kW	1.06 kW	2.4 A	21.5 kg

Dimensions US 73 Ex and US 103 Ex (mm)



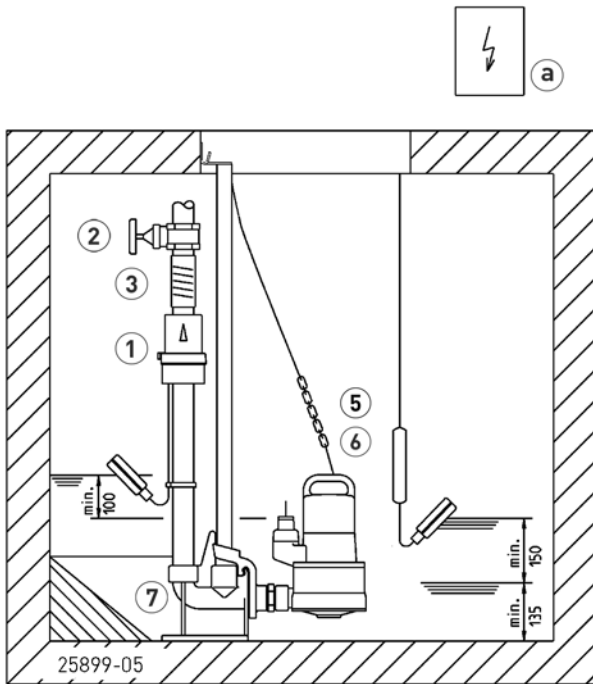
Dimensions with GR 40 (mm)



US 73 EX- US 103 EX

SUBMERSIBLE DRAINAGE PUMPS WITH EXPLOSION-PROOF

Example of single pump installation with GR

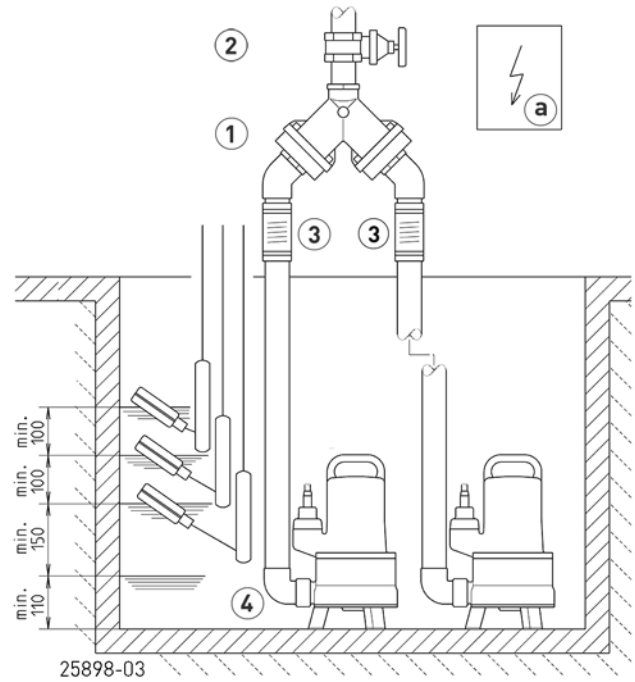


Single unit 1½" with GR 40: sump area min. 40x60 cm
 Single unit 1½" without GR: sump area min. 40x40 cm

Duplex unit 1½" with GR 40: sump area min. 60x60 cm
 Duplex unit 1½" without GR: sump area min. 40x60 cm

In case of installation beneath the backpressure level the pressure tube must be taken in a

Example of duplex pump installation



loop over the local backup level acc. to EN 12056. Besides, it must be secured with an EN 12050-4-proofed swing-type check valve. Additionally we recommend an alarm system.

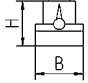
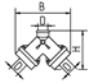
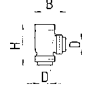
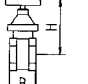
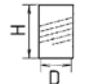


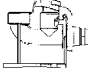
In accordance with EN 12056-4 section 5.1, it has a built-in automatic spare pump or a double attachment included, which ensures that sewage drainage is not interrupted.

Suspend control unit in a dry room


US 73 EX- US 103 EX

SUBMERSIBLE DRAINAGE PUMPS WITH EXPLOSION-PROOF

MECHANICAL ACCESSORY

				Code No.
	① Swing-type check valve R40 EN 12050-4	1½" (DN 40), PN 4	150x120 (HxB)	JP00317
	DR 40 EN 12050-4	1½" (DN 40), PN 4	200x280 (HxB)	JP09155
	Ball-type check valve KE40 EN 12050-4	1½" (DN 40), PN 6	170x125 (HxB)	JP47974
		② Stop valve	brass, 1½" (DN 40), PN 16	125x60 (HxB)
	③ Elastic connection	+ Hose band clamps, 1½" (DN 40), PN 4	120x50 (HxD)	JP50902
	④ Elbow	1½"		JP45953
	⑤ Chain	certified, 2.5 m, 320 kg, 5 rings (EN 818 mod.) certified, 5.0 m, 320 kg, 8 rings (EN 818 mod.)		JP45901 JP45902
	⑥ Webbing	with shackle		JP45168
	⑦ Guide rail system	GR 40		JP25592

ELECTRICAL ACCESSORY

				Code No.
	a Control for single units			
	Control unit AD 4 XE	for US 73E EX		JP25901
	Control unit AD 8 XE	for US 103E E		JP25902
	Control unit AD 23 X	for US 73D EX		JP09754
	Control unit AD 25 X	for US 103D EX		JP09683
	Control for duplex units			
	Control unit BD 23 X	for US 73 D EX		JP09755
	Control unit BD 25 X	for US 103 D EX		JP09681
	Level control			
	Subm. switch pack AmG	2 subm. ball contact switch with 9.5 m and counterweight		JP16719
Subm. switch pack BmG	3 subm. ball contact switch with 9.5 m and counterweight		JP16726	
Auxiliary switch unit ExH-A	for ex-proof pumps only (single-units)		JP16720	
Auxiliary switch unit ExH-B for explosion-proof pumps only	for ex-proof pumps only (duplex units)		JP00295	
b Level control				
Dry run protection US_Ex			JP44603	