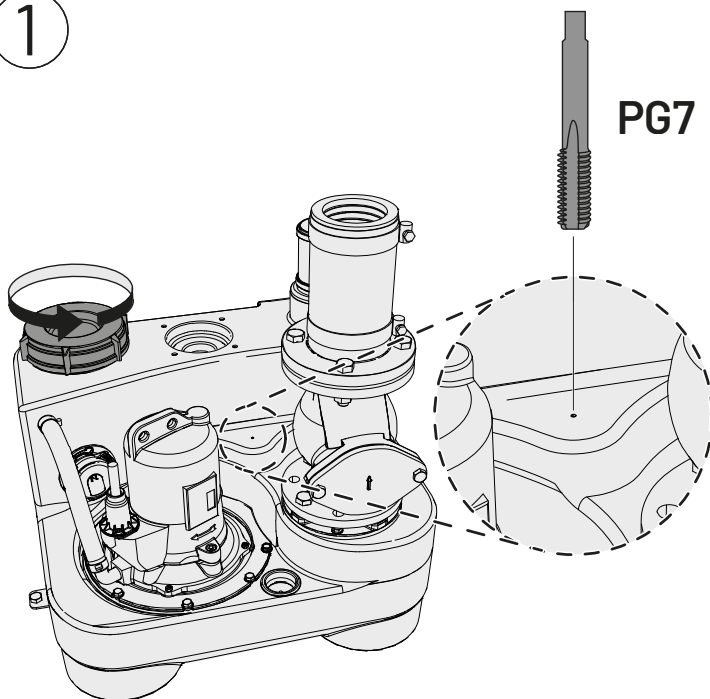
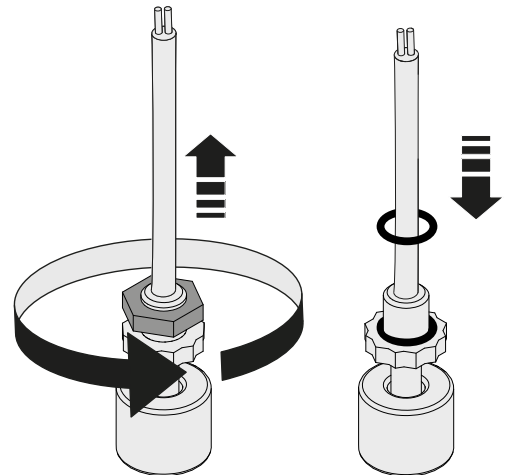


ALARMGEBER COMPLI 400 / ALARM DEVICE COMPLI 400 JP50171

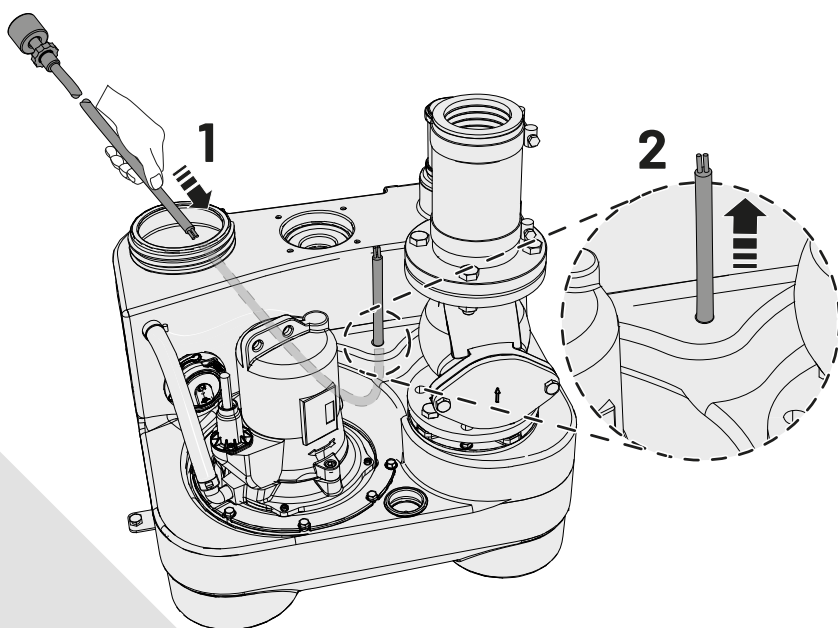
1



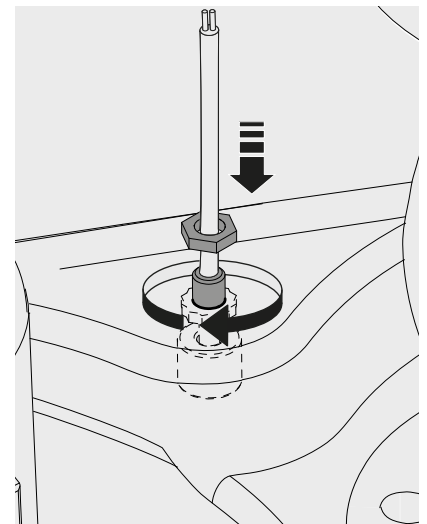
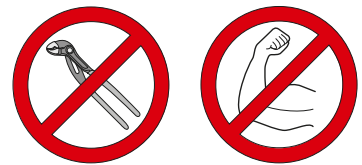
2



3



4



Compli 400-1000 B 48792 www.jung-pumpen.de/service/download





Jung Pumpen GmbH
Industriestr. 4-6
33803 Steinhagen
Deutschland
Tel. +49 5204 170
kd.jp@pentair.com

Pentair Water Italy Srl
Via Masaccio, 13
56010 Lugnano - Pisa
Italia
Tel. +39 050 716 111
it.jp@pentair.com

Pentair Water Polska Sp. z o.o.
ul. Plonów 21
41-200 Sosnowiec
Polska
Tel. +48 32 295 1200
pl.jp@pentair.com

All indicated Pentair trademarks and logos are property of Pentair. Third party registered and unregistered trademarks and logos are the property of their respective owners.
© 2024 Pentair Jung Pumpen

Subject to technical and design changes in the course of continuous product improvement. © Pentair Jung Pumpen